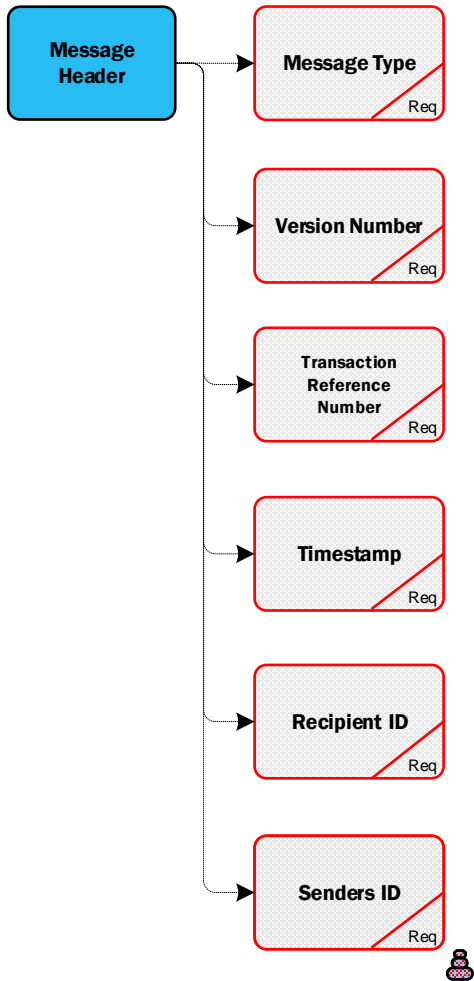


320W
Message
Specific
Information

320W Withdrawn CoS Reading

320W Valid Codes
Meter Point Status
E – Energised
Read Reason
26 – Change of Supplier



310 MPRN Level Info

MPRN

Req

Withdrawal Reason

Req



Market Participant Business Reference

Opt

Meter Configuration Code

Req



Networks Reference Number

Req

Keypad Premises Number

Opt

Load Profile

Req



DUoS Group

Req



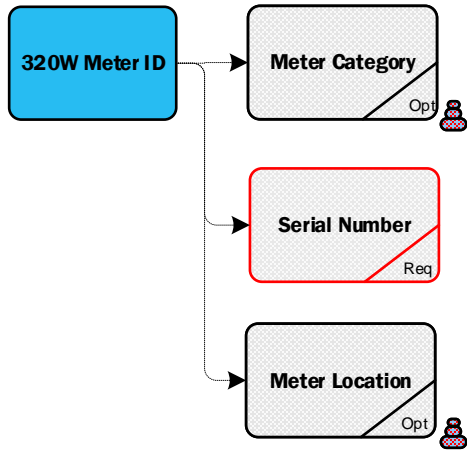
Meter Point Status

Req





Read Date

Req



320W Register Level Information

Unit of Measurement
Req 

Timeslot
Req 


Reading
Req


Meter Multiplier
Req

Meter Registration Sequence
Req

Pre Decimal Digits
Req

Read Reason
Req 

Read Type
Req 

Register Type
Req 

Post Decimal Digits
Req

**Senders
ID**

**Click Here for Latest
Senders ID
List**

Load Profile

01 - Urban Domestic Unrestricted

10 - Unmetered - Flat

02 - Urban Domestic Day/Night

11 - Public Lighting Dusk/Dawn

03 - Rural Domestic Unrestricted

12 - Public Lighting Dusk/Midnight

04 - Rural Domestic Day/Night

25 - Urban domestic SST

05 - Non Domestic Unrestricted

27 - Rural domestic SST

06 - Non Domestic Day/Night

29 - Non-domestic SST

07 - MD with LF up to (but not including) 30%

08 - MD with LF greater than or equal to 30% but less than 50%

09 - MD with LF greater than or equal to 50%

320W Withdrawn CoS Reading

Code

DUoS Group

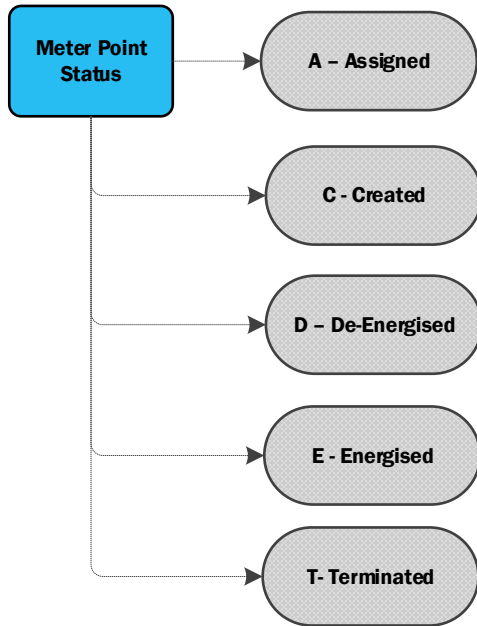
AGU	DG1	Urban Domestic	DG7	MV MD
AMM	DG10	Yes	DG7A	MV MD Autoproducer
CAN	DG2	Rural Domestic	DG7B	MV MD Importing Autoproducer or CHP Producer
CIP	DG3	Public Lighting	DG8	38 kV Looped MD
COL	DG4	Unmetered Supplies	DG8A	38 kV Looped MD Autoproducer
COS	DG5	LV Non-Domestic Non-MD	DG8B	38 kV Looped MD Importing Autoproducer or CHP Producer
CUG	DG5A	LV Non-Domestic Non-MD Autoproducer	DG9	38 kV Tailed MD
DIJ	DG5B	LV Non-Domestic Non-MD Importing Autoproducer or CHP Producer	DG9A	38 kV Tailed MD Autoproducer
DSO	DG6	LV MD	DG9B	38 kV Tailed MD Importing Autoproducer or CHP Producer
IA	DG6A	LV MD Autoproducer	DG10	110kV Distribution
ICD	DG6B	LV MD Importing Autoproducer or CHP Producer	TCON	Transmission Connected

Message

MPRN Level Information

RMDS RETAIL MARKET DESIGN SERVICE

DUoS Group



320W Withdrawn CoS Reading

Segment

Meter Configuration Code	MCC01 - 24 Hour	MCC10 - QH2CH_IP	MCC61 - 2x24h	MCC73 - 4x24H+NSH
	MCC02 - P/N	MCC11 - QH4CH_IPXP	MCC62 - 2x24h+NSH	MCC74 - 5x24H
	MCC03 - 24h+NSH	MCC50 - NONSTN	MCC63 - 2x24h+D	MCC75 - 24H+2xNSH
	MCC04 - D/N+W	MCC51 - D/N+NSH	MCC64 - 2x24h+W	MCC76 - 4x24H+W
	MCC05 - MDNm/PK	MCC53 - 2 X D/N	MCC65 - 3x24hr	MCC77 - 2x24H+W+NSH
	MCC06 - MDNm+Pk	MCC57 - 24h+D	MCC67 - 3x24h+Day	MCC78 - 3x24H+W+NSH
	MCC07 - 24H+NSH+W	MCC58 - 24h+D/N	MCC70 - 3x24H+NSH	MCC79 - 5x24H+NSH
	MCC08 - 24h+W	MCC59 - 24h+D/N+W	MCC71 - 4x24H	MCC12 - HH1CH_1CR_IP
	MCC09 - Unmetered	MCC60 - 24h+D/N+NS	MCC72 - 3x24H+W	MCC16 -SST IMP

Message

MPRN Level Information

RMDS

RETAIL MARKET DESIGN SERVICE

Meter Configuration Code

320W Withdrawn CoS Reading

Code

Withdrawal Reason

A1 - Erroneous Change of Supplier

D2 - Incorrect Billing Period

A2 - Disputed Cos Meter Reading

D3 - Incorrect Meter

A3 - Change of Supplier Cancellation

A4 - Change of Supplier

A5 - Change of Legal Entity

B1 - Incorrect MPRN

C1 - Incorrect Estimation

C2 - Incorrect Meter Reading

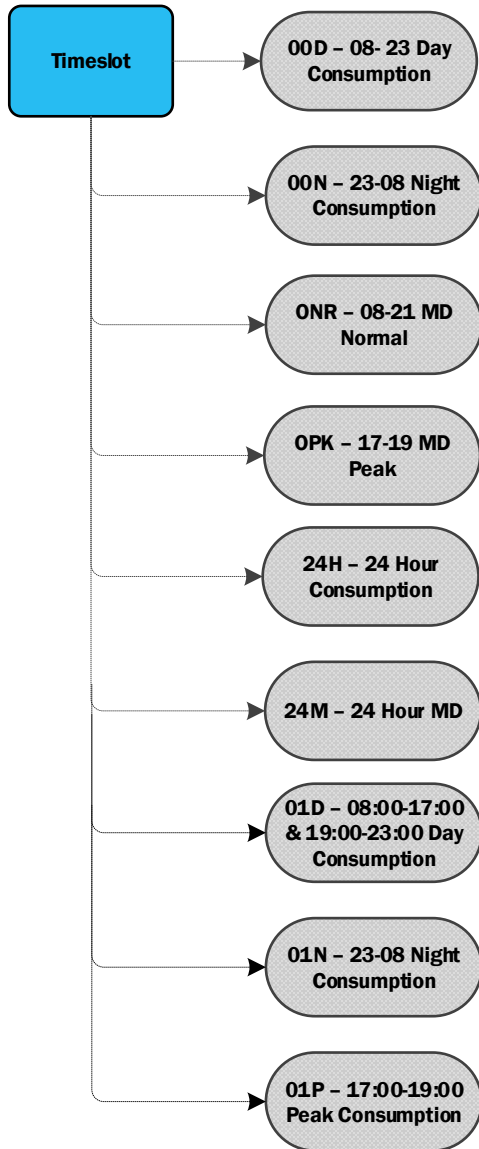
D1 - Incorrect Rate

Message

MPRN Level Information

RMDS RETAIL MARKET DESIGN SERVICE

Withdrawal Reason



320W Withdrawn CoS Reading

Code

Meter Category

[Click Here for Latest
Meter Category
List](#)

Message

320W Meter ID

RMDS RETAIL MARKET DESIGN SERVICE

Meter Category

320W Withdrawn CoS Reading

Segment

Meter Location

01 - Basement

10 - Pumphouse

19 - Annexe

02 - Garage

11 - Scullery/
Pantry/Kitchen

20 - Milking parlour/
Dairy

03 - Hall

12 - Shop

21 - Workshop

04 - Kitchen

13 - Switchroom/
Board

22 - Store

05 - Landing

14 - Under Stairs

23 - Back door

06 - Office

15 - Car Park

24 - Bedroom

07 - Outside box

16 - Pole

25 - Boiler House

08 - Porch

17 - Lobby

26 - Factory

09 - Press

18 - Shed/Outoffice/
Bam

Message

320W Meter ID

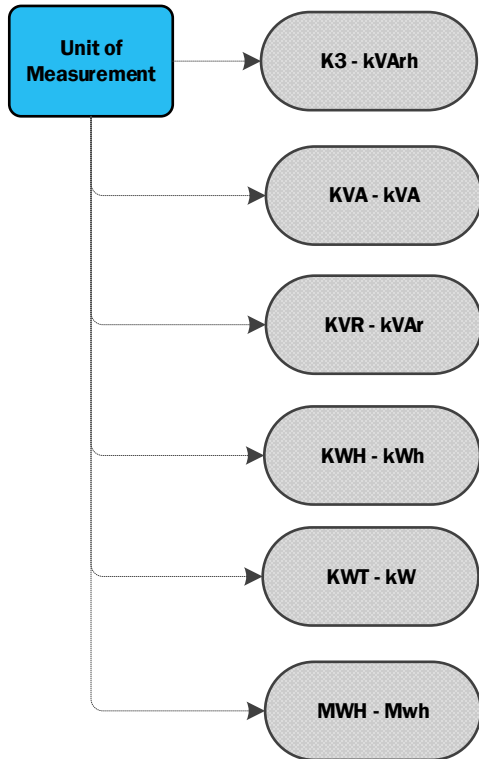
RMDS

RETAIL MARKET DESIGN SERVICE

Meter Location

320W Withdrawn CoS Reading

Code



320W Withdrawn CoS Reading

Code

Read Reason

01 - Scheduled

17 - Change of Profile

95 - Not for CoS

02 - Special Read, Chargeable

18 - Energisation

04 - Special Read to resolve dispute

21 - Start Reading (New Register)

09 - Special Read, non chargeable

22 - Closing Reading (Register removed)

10 - Ad-hoc, no chargeable check read

23 - Meter Works Single reading

11 - Start reading after meter re-programming

26 - Change of Supplier

13 - De-Energisation

27 - Change of Legal Entity

14 - Estimate

28 - Closing read before register re-number

16 - Closing read before meter re-programming

29 - Star read after register re-number

Message

320W Register Level Info

RMDS

RETAIL MARKET DESIGN SERVICE

Read Reason

320W Withdrawn CoS Reading

Code

Read Type

A - Actual

SU - Substitute
(Interval)

CU - Customer
Reading

E - Estimate (No
Access)

ED - Estimate (DUoS
Billing has occurred)

EF - Estimate
(Implausible/ No
Read available)

EP - Estimate (Block
Planned)

EU - Estimate (Block
Unplanned)

RC - Replacement
Read

SC - Supplier
Provided Customer
Reading

Message

320W Register
Level Info

RMDS

RETAIL MARKET DESIGN SERVICE

Read Type

320W Withdrawn CoS Reading

Code

Register Type

01 - 24hr

50 - IMP QH (KW)

02 - Day

51 - IMP QH (kVAr)

03 - Night

52 - EXP QH(KW)

04 - NSH

53 - EXP QH (kVAr)

05 - Wattless

70 - Import HH kW

06 - MD Normal

74 - Import 24hr
kWh

07 - MD Peak

78 - Day Off Peak

08 - Cumulative MD
Normal

79 - Night Off Peak

09 - Cumulative MD
Peak

80 - Peak

Message

320W Register
Level Info

RMDS

RETAIL MARKET DESIGN SERVICE

Register Type

320W Withdrawn CoS Reading

Version Which Implemented	Source of Change	Description of Change
10.4	MCR 1155	Message format changed from ARIS to Document format.
10.6	CoBLCR 008 & CoBLCR 011	Meter Category – Removed table & replaced with link to Meter Category page on RMDS Website
13.0	MCR1159	New Codes added for Load Profile, Meter Configuration Code, Timeslot and Register Type.