
Co-Ordinated Retail Market Message Guide

ROI Implementation - Unmetered

<i>Document Information</i>	
Business Area:	ESB Networks
Status:	Final
Author/s:	ESBN
Version Number:	4.0
Reason for Change	Co-Ordinated Baseline V4.0

Co-Ordinated Market Message Guide – Unmetered

<i>Document Updates</i>			
Name	Date	Reason	Version
H&SP Project	22/02/2012	Initial Draft	2.3
MMR 10.2	21/11/2013	Updated following approval at IGG of MCR 1134	2.4
Co-MMR 10.4	11/02/2015	Re-versioned as part of Co-MMR 10.4	2.5
Co-MMR 10.6	04/12/2015	Re-versioned as part of Co-MMR 10.6	2.6
Co-MMR 10.7	02/06/2016	Re-versioned as part of Co-MMR 10.7	2.7
Schema Release V11.0	05/08/2016	MCR 1122 – Essential Plant	3.0
Co-MMR 11.1	02/10/2017	Re-versioned as part of Co-MMR 11.1	3.1
Schema Release V12.0	23/04/2019	MCR1140 Introduction of Eircodes into the Retail Market in Ireland MCR1167 Facilitate energy efficiencies in Local Authority Public Lighting	4.0

Table of Contents

1 INTRODUCTION	5
1.1 PURPOSE OF THE MESSAGE IMPLEMENTATION GUIDE	5
MESSAGE GROUPS	6
1.2 TECHNICAL OVERVIEW	7
1.3 MESSAGE VERSION	7
1.4 SCOPE	7
1.5 VALIDATION	8
1.6 NOTES	9
1.7 MARKET MESSAGE INTRODUCTION	9
2 MARKET MESSAGES	11
2.1 700 UNMETERED CHARACTERISTICS AND AUF	11
<i>Purpose / Description of message</i>	11
<i>Data hierarchy diagram</i>	12
<i>Message Structure</i>	13

Co-Ordinated Market Message Guide – Unmetered

2.2	700W WITHDRAWAL OF UNMETERED CHARACTERISTICS AND AUF	20
	<i>Purpose / Description of message</i>	20
	<i>Data hierarchy diagram</i>	21
	<i>Message Structure</i>	22
2.3	701 UNMETERED CONSUMPTION	30
	<i>Purpose / Description of message</i>	30
	<i>Data Hierarchy Diagram</i>	31
	<i>Message Structure</i>	32
2.4	701W WITHDRAWAL OF UNMETERED CONSUMPTION.....	38
	<i>Purpose / Description of message</i>	38
	<i>Data Hierarchy Diagram</i>	39
	<i>Message Structure</i>	40

Co-Ordinated Market Message Guide – Unmetered

1 INTRODUCTION

1.1 Purpose of the Message Implementation Guide

This document is a Message Implementation Guide to assist Suppliers in:

- The construction of market messages to be sent to DSO and MRSO; and
- The interpretation of messages received from DSO and MRSO.

The Message Implementation Guides are organized into separate **Message Groups** documents based around key business processes. These are:

- Registration, including Change of Supplier
- Customer Data and Agreements
- Data Processing
- Data Aggregation
- DUoS and Transaction Payments
- Meter Works
- SSA
- Market Gateway Activity

This document is the **Unmetered** Implementation Guide.

Co-Ordinated Market Message Guide – Unmetered

Message Groups

Each Message Group section contains:

- An introduction outlining the scope and business context for the message group
- A Message Usage Summary with a description of when each message is used
- A list of Related Business Documents that govern the process
- A message directory with a section for each separate message which includes:
 - A description of each message and when it should be used
 - An overview diagram of the structure of the message.
 - For messages sent by Suppliers:
 - A table containing composition instructions on how to populate each segment and field
 - A table describing how the message will be validated
 - A description of the responses that can be expected
 - For messages sent by ESB Networks:
 - A table containing a description of how each segment and field will be populated.

Co-Ordinated Market Message Guide – Unmetered

The same type of data is often provided in several messages and, irrespective of the message type, this data is subject to common rules for population. An example is the Meter Point Address.

A separate document exists to describe the population rules for these types of data, providing:

- An overview of the structure of the segment
- Instructions relating to how to populate each segment and field.

This document is the Common Data Segments Implementation Guide.

1.2 Technical Overview

Messages are exchanged in XML format between the Market Gateway operated by ESB and the Market Participant Communication Component (MPCC) software.

1.3 Message Version

This Message Guide refers to and is consistent with the Discussion Request (DR 176) which is based on Market Design version 8 and the 131 market message from MCR0171. NI specific validations are not included in this guide.

1.4 Scope

The scope of this document covers all Un-metered messages sent by ESB Networks to Suppliers.

The message numbers included as in scope are as follows:

Co-Ordinated Market Message Guide – Unmetered

- 700 Unmetered Characteristics and Actual Usage Factor (AUF)
- 700W Withdrawal of Unmetered Characteristics and AUF
- 701 Unmetered Consumption
- 701W Withdrawal of Unmetered Consumption

1.5 Validation

The document provides notes on how ESB Networks will validate the messages received. The purpose of these notes is to aid the Supplier in the population of each message and is intended to avoid instances where messages are rejected due to the incorrect population of a message field. The validation described is therefore limited to field specific validations.

Syntax validation is excluded from the validation notes. This is performed by using standard XML Schema validation against the ieXML schema provided that defines the data structures of all market messages in scope. Syntax validation includes:

- Checks that the structure of the message is correct
- Checks that all mandatory fields are provided. Mandatory fields are, however, indicated in the instructions for populations.
- Checks that any data code is selected from the list of data codes issued in the ROI Market Design.

In cases where the segment on a message fails on any of these reasons, a negative acknowledgement is sent back as a market message to the message sender containing the following information:

- The Transaction Reference Number supplied on the inbound message
- A copy of the message contents as received by ESB Networks

Co-Ordinated Market Message Guide – Unmetered

- A description of the error.

General market process validations that are not specific to individual market message fields is excluded. These are described in the appropriate Market Procedure Documents (MPD) referenced in each section.

If there is any inconsistency between an MPD and the Message Implementation Guide then the MPD will take precedence.

1.6 Notes

In this document, the references to the segment and field levels which should be interpreted as follows:

- The level number indicated against the segment in the *Market Messages* document refers to the level of the data items and segments within that segment. Therefore, for example, in message 010 where 'MPRN Level Information -Level 2' is stated it is the data items and segments that comprise 'MPRN Level Information' that are level 2 items (e.g. MPRN field, Market Participant Business Reference field, Meter Point Address segment). Accordingly, within this document, MPRN Level Information segment is shown as a Level 1 segment.
- Message Header is a Level 1 segment and is a child of Header Level Information.

1.7 Market Message introduction

The grouping of messages in this guide relate to the communication of information relating to Un-metered MPRN's. These can be subdivided into two main types of change:

- The communication and updating of changes to the characteristics of Un-metered MPRN's – messages 700 and 700W

Co-Ordinated Market Message Guide – Unmetered

- The communication of information relating to consumption at an Un-metered location – messages 701 and 701W.

The following table provides a trigger list for each message described in this document, detailing when it is used.

Message	Title	Sender	Recipient	Trigger	Predecessor	MPD Ref.
700	Unmetered Characteristics and AUF	Networks	Supplier	Supplier Registration, Energisation, Change of Inventory, Change of Supplier Acquisition or	None	MPD 10, 27, 28, 29, 30, 33,36
700W	Withdrawal of Unmetered Characteristics and AUF	Networks	Supplier	Previous communication with incorrect meter characteristics	700	MPD27, 28, 29, 30, 33
701	Unmetered Consumption	Networks	Supplier	Monthly billing, Change of Supplier Withdrawal, Change of Legal Entity, De-energisation	None	MPD9,26, 29, 31, 32, 33, 36
701W	Withdrawal of Unmetered Consumption	Networks	Supplier	Where previous billing information has been incorrect and the prior 701 consumption information needs to be removed and replaced by correct information.	701	MPD 33

2 MARKET MESSAGES

2.1 700 Unmetered Characteristics and AUF

Purpose / Description of message

The 700 Un-metered Characteristics and AUF message is sent by ESB Networks to the Market registered Supplier to notify them of the characteristics of the meter point at an un-metered location. This information is sent when a site is first registered with a Supplier or any time any of the data items within the message changes on ESB Networks systems.

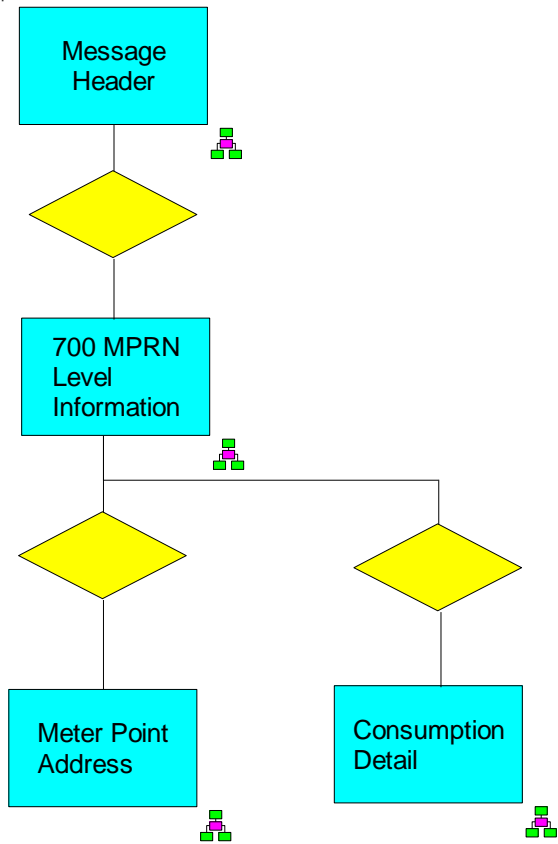
The 700MM is sent to the registered supplier in the following cases:

- Supplier Registration
- New Grouped MPRN
- New Technical MPRN
- Change of Supplier Acquisition Grouped MPRN
- Change of Supplier Acquisition Single point unmetered
- Change of inventory
- Change of Grouped MPRN

This data includes the following:

- The technical details regarding any inventory on site
- The Meter Point Address
- The Group MPRN a Technical MPRN relates to
- The Actual Usage Factor for the Meter Point
- DUoS Group
- The Energisation status of the Meter Point.

Data hierarchy diagram



Co-Ordinated Market Message Guide – Unmetered

Message Structure

This section describes the structure of the 700 message. The purpose of the message segments and data items are explained and any rules for composition outlined.

Segment and Field Level Identifier – 700 Message			Rpt	Optionality	Description / Purpose and composition instructions												
1	Message Header		1	Mandatory	<i>Refer to common data segments document</i>												
1	Unmetered Details		1	Mandatory													
2	FLD	Technical MPRN	1	Mandatory	The unique identifying reference number for the Un-metered Meter Point. All elements of MPRN will be provided.												
2	FLD	Group MPRN	1	Optional	This is the unique identifying reference number for grouped un-metered sites such as street lighting, provided where applicable.												
2	FLD	Load Profile	1	Mandatory	<p>Load Profile is a code that determines, when coupled with Timeslot, the standard profile to be applied to the consumption for settlement. The following are valid values for load profile on this message:</p> <table border="1"> <tbody> <tr> <td>10</td> <td>Unmetered - Flat</td> </tr> <tr> <td>11</td> <td>Public Lighting - Dusk/Dawn</td> </tr> <tr> <td>12</td> <td>Public Lighting - Dusk/Midnight</td> </tr> <tr> <td>13</td> <td>Public Lighting - Dusk/Dawn with Extra Trimming</td> </tr> <tr> <td>14</td> <td>Public Lighting - Dusk/Dawn with Extra Trimming and 75% dimming between midnight and 06.00 hrs</td> </tr> <tr> <td>15</td> <td>Public Lighting - Dusk/Dawn with Extra Trimming and 67% dimming between midnight and 06.00 hrs</td> </tr> </tbody> </table>	10	Unmetered - Flat	11	Public Lighting - Dusk/Dawn	12	Public Lighting - Dusk/Midnight	13	Public Lighting - Dusk/Dawn with Extra Trimming	14	Public Lighting - Dusk/Dawn with Extra Trimming and 75% dimming between midnight and 06.00 hrs	15	Public Lighting - Dusk/Dawn with Extra Trimming and 67% dimming between midnight and 06.00 hrs
10	Unmetered - Flat																
11	Public Lighting - Dusk/Dawn																
12	Public Lighting - Dusk/Midnight																
13	Public Lighting - Dusk/Dawn with Extra Trimming																
14	Public Lighting - Dusk/Dawn with Extra Trimming and 75% dimming between midnight and 06.00 hrs																
15	Public Lighting - Dusk/Dawn with Extra Trimming and 67% dimming between midnight and 06.00 hrs																

Co-Ordinated Market Message Guide – Unmetered

Segment and Field Level Identifier – 700 Message			Rpt	Optionality	Description / Purpose and composition instructions																
					<table border="1"> <tr> <td>16</td> <td>Public Lighting - Dusk/Dawn with Extra Trimming and 50% dimming between midnight and 06.00 hrs</td> </tr> <tr> <td>17</td> <td>Public Lighting - Dusk to Dawn with Extra Trimming, dimmed to 75% from 21:00 through to 07:00 next day</td> </tr> <tr> <td>18</td> <td>Public Lighting - Dusk to Dawn with Extra Trimming, dimmed to 67% from 21:00 through to 07:00 next day</td> </tr> <tr> <td>19</td> <td>Public Lighting - Dusk to Dawn with Extra Trimming, dimmed to 50% from 21:00 through to 07:00 next day</td> </tr> <tr> <td>20</td> <td>Public Lighting - Dusk to Dawn with Extra Trimming, dimmed to 75% from 20:00 to 22:00 then to 50% until 07:00 next day</td> </tr> <tr> <td>21</td> <td>Public Lighting - Dusk to Dawn with Extra Trimming, dimmed to 67% from 20:00 to 22:00 then to 50% until 07:00 next day</td> </tr> <tr> <td>22</td> <td>Public Lighting - Dusk to Dawn with Extra Trimming, dimmed to 64% from 20:00 to 22:00 then to 47% until 07:00 next day</td> </tr> <tr> <td>23</td> <td>Public Lighting - Dusk to Dawn with Extra Trimming, dimmed to 64% from 20:00 to 22:00 then to 36% until 07:00 next day</td> </tr> </table>	16	Public Lighting - Dusk/Dawn with Extra Trimming and 50% dimming between midnight and 06.00 hrs	17	Public Lighting - Dusk to Dawn with Extra Trimming, dimmed to 75% from 21:00 through to 07:00 next day	18	Public Lighting - Dusk to Dawn with Extra Trimming, dimmed to 67% from 21:00 through to 07:00 next day	19	Public Lighting - Dusk to Dawn with Extra Trimming, dimmed to 50% from 21:00 through to 07:00 next day	20	Public Lighting - Dusk to Dawn with Extra Trimming, dimmed to 75% from 20:00 to 22:00 then to 50% until 07:00 next day	21	Public Lighting - Dusk to Dawn with Extra Trimming, dimmed to 67% from 20:00 to 22:00 then to 50% until 07:00 next day	22	Public Lighting - Dusk to Dawn with Extra Trimming, dimmed to 64% from 20:00 to 22:00 then to 47% until 07:00 next day	23	Public Lighting - Dusk to Dawn with Extra Trimming, dimmed to 64% from 20:00 to 22:00 then to 36% until 07:00 next day
16	Public Lighting - Dusk/Dawn with Extra Trimming and 50% dimming between midnight and 06.00 hrs																				
17	Public Lighting - Dusk to Dawn with Extra Trimming, dimmed to 75% from 21:00 through to 07:00 next day																				
18	Public Lighting - Dusk to Dawn with Extra Trimming, dimmed to 67% from 21:00 through to 07:00 next day																				
19	Public Lighting - Dusk to Dawn with Extra Trimming, dimmed to 50% from 21:00 through to 07:00 next day																				
20	Public Lighting - Dusk to Dawn with Extra Trimming, dimmed to 75% from 20:00 to 22:00 then to 50% until 07:00 next day																				
21	Public Lighting - Dusk to Dawn with Extra Trimming, dimmed to 67% from 20:00 to 22:00 then to 50% until 07:00 next day																				
22	Public Lighting - Dusk to Dawn with Extra Trimming, dimmed to 64% from 20:00 to 22:00 then to 47% until 07:00 next day																				
23	Public Lighting - Dusk to Dawn with Extra Trimming, dimmed to 64% from 20:00 to 22:00 then to 36% until 07:00 next day																				
2	FLD	DUoS Group	1	Mandatory	Duos Group is a code which denotes the use of system tariff that applies to the MPRN. The following are valid values for DUoS Group on this message:																

Co-Ordinated Market Message Guide – Unmetered

Segment and Field Level Identifier – 700 Message			Rpt	Optionality	Description / Purpose and composition instructions
					<p>DG3 Public Lighting</p> <p>DG4 Un-metered Supplies</p>
2	FLD	Meter Point Status	1	Mandatory	<p>Meter Point Status is a code to identify the connection status of a meter point. The following are valid values for Meter Point Status on this message</p> <p>A Assigned</p> <p>E Energised</p> <p>D De-energised</p> <p>T Terminated</p>
2	FLD	Meter Configuration Code	1	Mandatory	<p>Meter Configuration Code (MCC) describes the current configuration of meter registers and other equipment at an MPRN which allow Customer Billing to take place. The MCC does not describe the specific metering equipment in use at an MPRN nor does it describe the overall capability of the metering equipment at the site. The following is the only valid code for MCC on this message:</p> <p>MCC09 Un-metered</p>
2	FLD	Effective from Date	1	Mandatory	<p>This is the date from which the un-metered meter point information supplied became effective.</p>
2	FLD	Actual Usage Factor	1	Mandatory	<p>Actual Usage Factor is a statement in kWh of the anticipated consumption for the site based upon extrapolating the level</p>

Co-Ordinated Market Message Guide – Unmetered

Segment and Field Level Identifier – 700 Message			Rpt	Optionality	Description / Purpose and composition instructions		
					consumption the inventory implies across a standard profile		
2	FLD	Networks Reference Number	1	Mandatory	A Non Interval billing document reference created at inception of the Non Interval billing document in Networks and used to reference that Non Interval billing transaction.		
2	FLD	Maximum Import Capacity	1	Mandatory	Maximum Import Capacity is the capacity in kVA agreed in the connection agreement and permitted to be imported at a meter point.		
2	FLD	PSO Exemption Flag	1	Optional	As and where an unmetered site is exempt, by law, from paying PSO charges. Valid values are: <ul style="list-style-type: none"> • 1 i.e. a logical value of True if the site is exempt • 0 i.e. a logical value of False if the site is not exempt 		
2	FLD	Essential Plant	1	See Description	A flag will be set to : 1 i.e. a logical value of True – where ESN determine a site is Essential Plant 0 i.e. a logical value of False - where ESN determine a site is no longer Essential Plant		
2	FLD	Transaction Reason Code	1	Mandatory	The Transaction Reason Code specifies the appropriate trigger for the message to be sent. The following are valid values for Transaction Reason Code on this message: <table border="1" data-bbox="1167 1222 1993 1284"> <tr> <td>REG</td> <td>The registration of a new Group MPRN</td> </tr> </table>	REG	The registration of a new Group MPRN
REG	The registration of a new Group MPRN						

Co-Ordinated Market Message Guide – Unmetered

Segment and Field Level Identifier – 700 Message			Rpt	Optionality	Description / Purpose and composition instructions												
					<table border="1"> <tr> <td>NGP</td> <td>The new registration or the energisation of a Grouped Technical MPRN</td> </tr> <tr> <td>NSP</td> <td>The new registration or the energisation of a Single point unmetered site</td> </tr> <tr> <td>COI</td> <td>Change of Inventory</td> </tr> <tr> <td>COS</td> <td>Change of Supplier Acquisition</td> </tr> <tr> <td>REP</td> <td>Replacement message following the withdrawal of another 700 message for the site</td> </tr> <tr> <td>COG</td> <td>Change of Group for a TMPRN from one GMPRN group to another GMPRN group due to Local Authority boundary change for example</td> </tr> </table>	NGP	The new registration or the energisation of a Grouped Technical MPRN	NSP	The new registration or the energisation of a Single point unmetered site	COI	Change of Inventory	COS	Change of Supplier Acquisition	REP	Replacement message following the withdrawal of another 700 message for the site	COG	Change of Group for a TMPRN from one GMPRN group to another GMPRN group due to Local Authority boundary change for example
NGP	The new registration or the energisation of a Grouped Technical MPRN																
NSP	The new registration or the energisation of a Single point unmetered site																
COI	Change of Inventory																
COS	Change of Supplier Acquisition																
REP	Replacement message following the withdrawal of another 700 message for the site																
COG	Change of Group for a TMPRN from one GMPRN group to another GMPRN group due to Local Authority boundary change for example																
2	SEG	Meter Point Address	1	Mandatory	The address at which the un-metered Meter Point is connected.												
	3	FLD	Unit No.	1	Optional	This field can be used to populate information relating to the unit number that can be part of an address.											
	3	FLD	Addr Line 1	1	Optional	This field can be used as overflow for address details that apply before the street part of an address.											
	3	FLD	Addr Line 2	1	Optional	This field can be used as overflow for address details that apply before the street part of an address.											
	3	FLD	House No.	1	Optional	This can be used to populate the number of a premises given as part of an address.											

Co-Ordinated Market Message Guide – Unmetered

Segment and Field Level Identifier – 700 Message			Rpt	Optionality	Description / Purpose and composition instructions
3	FLD	Street	1	See instructions	This field stores information relating to the street part of an address. This field will be populated for Meter Point Address.
3	FLD	Addr Line 4	1	Optional	This field can be used as overflow for address details that apply after the street part of an address.
3	FLD	Addr Line 5	1	Optional	This field can be used as overflow for address details that apply after the street part of an address.
3	FLD	Postal Code	1	Optional	This is the Postal Code given as part of an address where appropriate. Ireland has implemented a Postal Code system called Eircode Unmetered MPRN's will not be assigned an Eircode
3	FLD	City	1	Optional	Used to populate the details of which City an address resides in where appropriate
3	FLD	County – Ireland	1	See instructions	This denotes the county in which an address is situated. See the list of data codes for permissible values here. This field will be populated for Meter Point Address.
3	FLD	Country	1	See instructions	This denotes the country in which an address is situated. This field will be populated and set to IE or GB for Meter Point Address.
2	SEG	Consumption Detail	1..N	Mandatory	This segment sets out the inventory details for the site.
3	FLD	Consecutive Number	1	Mandatory	As the equipment on site can have multiple Un-metered Type / Billing Value combinations each combination is set out separately with a Consecutive Number each.

Co-Ordinated Market Message Guide – Unmetered

Segment and Field Level Identifier – 700 Message			Rpt	Optionality	Description / Purpose and composition instructions
3	FLD	Un-metered Type	1	Mandatory	Un-metered Type relates to the type of equipment on site, e.g. the bulb type or that the site is a telephone kiosk. See the current version of the Data codes for a full set of allowed values for Un-metered Type.
3	FLD	Installed Value	1	Mandatory	Installed Value is the wattage of the equipment
3	FLD	Billing Value	1	Mandatory	Billing Value is the wattage that drives the consumption calculations. The Billing Value can vary from the Installed Value as wattage may, for example, be used in the control gear
3	FLD	Unit of Measurements	1	Mandatory	Units of measurement is a code that indicates the value that is measured. The following are valid values for Unit of Measurements on this message: K3 kvArh KVA KVA KWH KWH KWT Kw KVR KVAr MWH MWh
3	FLD	Repetition Factor	1	Mandatory	Repetition Factor represents the number of pieces of equipment valid for this segment – i.e. with the same Un-metered Type / Billing Value combination.

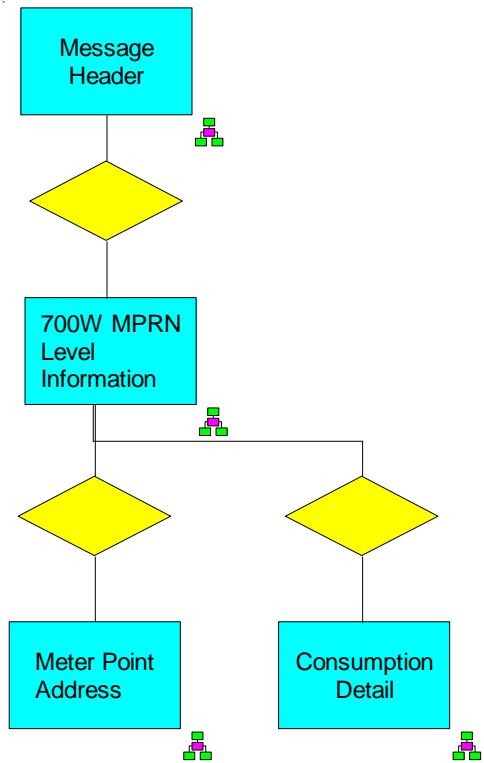
2.2 700W Withdrawal of Unmetered Characteristics and AUF

Purpose / Description of message

The 700W Withdrawal of Un-metered Characteristics and AUF message is sent by ESB Networks to Market registered Supplier to notify them that technical details sent to them on a 700 message have been withdrawn. This includes the reason for the withdrawal.

Co-Ordinated Market Message Guide – Unmetered

Data hierarchy diagram



Co-Ordinated Market Message Guide – Unmetered

Message Structure

This section describes the structure of the 700W message. The purpose of the message segments and data items is explained and any rules for composition outlined.

Segment and Field Level Identifier – 700W Message			Rpt	Optionality	Description / Purpose and composition instructions										
1 Message Header			1	Mandatory	<i>Refer to common data segments document</i>										
1 Meter Point Details			1	Mandatory											
2	FLD	Technical MPRN	1	Mandatory	The unique identifying reference number for the Un-metered Meter Point. All elements of MPRN will be provided.										
2	FLD	Group MPRN	1	Optional	This is the unique identifying reference number for grouped un-metered sites such as street lighting, provided where applicable.										
2	FLD	Load Profile	1	Mandatory	<p>Load Profile is a code that determines, when coupled with Timeslot, the standard profile to be applied to the consumption for settlement. The following are valid values for load profile on this message:</p> <table border="1"> <tbody> <tr> <td>10</td> <td>Unmetered - Flat</td> </tr> <tr> <td>11</td> <td>Public Lighting - Dusk/Dawn</td> </tr> <tr> <td>12</td> <td>Public Lighting - Dusk/Midnight</td> </tr> <tr> <td>13</td> <td>Public Lighting - Dusk/Dawn with Extra Trimming</td> </tr> <tr> <td>14</td> <td>Public Lighting - Dusk/Dawn with Extra Trimming and 75% dimming between midnight and 06.00 hrs</td> </tr> </tbody> </table>	10	Unmetered - Flat	11	Public Lighting - Dusk/Dawn	12	Public Lighting - Dusk/Midnight	13	Public Lighting - Dusk/Dawn with Extra Trimming	14	Public Lighting - Dusk/Dawn with Extra Trimming and 75% dimming between midnight and 06.00 hrs
10	Unmetered - Flat														
11	Public Lighting - Dusk/Dawn														
12	Public Lighting - Dusk/Midnight														
13	Public Lighting - Dusk/Dawn with Extra Trimming														
14	Public Lighting - Dusk/Dawn with Extra Trimming and 75% dimming between midnight and 06.00 hrs														

Co-Ordinated Market Message Guide – Unmetered

Segment and Field Level Identifier – 700W Message			Rpt	Optionality	Description / Purpose and composition instructions																		
					<table border="1"> <tr> <td>15</td> <td>Public Lighting - Dusk/Dawn with Extra Trimming and 67% dimming between midnight and 06.00 hrs</td> </tr> <tr> <td>16</td> <td>Public Lighting - Dusk/Dawn with Extra Trimming and 50% dimming between midnight and 06.00 hrs</td> </tr> <tr> <td>17</td> <td>Public Lighting - Dusk to Dawn with Extra Trimming, dimmed to 75% from 21:00 through to 07:00 next day</td> </tr> <tr> <td>18</td> <td>Public Lighting - Dusk to Dawn with Extra Trimming, dimmed to 67% from 21:00 through to 07:00 next day</td> </tr> <tr> <td>19</td> <td>Public Lighting - Dusk to Dawn with Extra Trimming, dimmed to 50% from 21:00 through to 07:00 next day</td> </tr> <tr> <td>20</td> <td>Public Lighting - Dusk to Dawn with Extra Trimming, dimmed to 75% from 20:00 to 22:00 then to 50% until 07:00 next day</td> </tr> <tr> <td>21</td> <td>Public Lighting - Dusk to Dawn with Extra Trimming, dimmed to 67% from 20:00 to 22:00 then to 50% until 07:00 next day</td> </tr> <tr> <td>22</td> <td>Public Lighting - Dusk to Dawn with Extra Trimming, dimmed to 64% from 20:00 to 22:00 then to 47% until 07:00 next day</td> </tr> <tr> <td>23</td> <td>Public Lighting - Dusk to Dawn with Extra Trimming, dimmed to 64% from 20:00 to 22:00 then to 36% until 07:00 next day</td> </tr> </table>	15	Public Lighting - Dusk/Dawn with Extra Trimming and 67% dimming between midnight and 06.00 hrs	16	Public Lighting - Dusk/Dawn with Extra Trimming and 50% dimming between midnight and 06.00 hrs	17	Public Lighting - Dusk to Dawn with Extra Trimming, dimmed to 75% from 21:00 through to 07:00 next day	18	Public Lighting - Dusk to Dawn with Extra Trimming, dimmed to 67% from 21:00 through to 07:00 next day	19	Public Lighting - Dusk to Dawn with Extra Trimming, dimmed to 50% from 21:00 through to 07:00 next day	20	Public Lighting - Dusk to Dawn with Extra Trimming, dimmed to 75% from 20:00 to 22:00 then to 50% until 07:00 next day	21	Public Lighting - Dusk to Dawn with Extra Trimming, dimmed to 67% from 20:00 to 22:00 then to 50% until 07:00 next day	22	Public Lighting - Dusk to Dawn with Extra Trimming, dimmed to 64% from 20:00 to 22:00 then to 47% until 07:00 next day	23	Public Lighting - Dusk to Dawn with Extra Trimming, dimmed to 64% from 20:00 to 22:00 then to 36% until 07:00 next day
15	Public Lighting - Dusk/Dawn with Extra Trimming and 67% dimming between midnight and 06.00 hrs																						
16	Public Lighting - Dusk/Dawn with Extra Trimming and 50% dimming between midnight and 06.00 hrs																						
17	Public Lighting - Dusk to Dawn with Extra Trimming, dimmed to 75% from 21:00 through to 07:00 next day																						
18	Public Lighting - Dusk to Dawn with Extra Trimming, dimmed to 67% from 21:00 through to 07:00 next day																						
19	Public Lighting - Dusk to Dawn with Extra Trimming, dimmed to 50% from 21:00 through to 07:00 next day																						
20	Public Lighting - Dusk to Dawn with Extra Trimming, dimmed to 75% from 20:00 to 22:00 then to 50% until 07:00 next day																						
21	Public Lighting - Dusk to Dawn with Extra Trimming, dimmed to 67% from 20:00 to 22:00 then to 50% until 07:00 next day																						
22	Public Lighting - Dusk to Dawn with Extra Trimming, dimmed to 64% from 20:00 to 22:00 then to 47% until 07:00 next day																						
23	Public Lighting - Dusk to Dawn with Extra Trimming, dimmed to 64% from 20:00 to 22:00 then to 36% until 07:00 next day																						
2	FLD	DUoS Group	1	Mandatory	Duos Group is a code which denotes the use of system tariff that applies to the MPRN. The following are valid values for DUoS Group																		

Co-Ordinated Market Message Guide – Unmetered

Segment and Field Level Identifier – 700W Message			Rpt	Optionality	Description / Purpose and composition instructions
					<p>on this message:</p> <p>DG3 Public Lighting</p> <p>DG4 Un-metered Supplies</p>
2	FLD	Meter Point Status	1	Mandatory	<p>Meter Point Status is a code to identify the connection status of a meter point. The following are valid values for Meter Point Status on this message</p> <p>A Assigned</p> <p>E Energised</p> <p>D De-energised</p> <p>T Terminated</p>
2	FLD	Meter Configuration Code	1	Optional	<p>Meter Configuration Code (MCC) describes the current configuration of meter registers and other equipment at an MPRN which allow Customer Billing to take place. The MCC does not describe the specific metering equipment in use at an MPRN nor does it describe the overall capability of the metering equipment at the site. The following is the only valid code for MCC on this message:</p> <p>MCC09 Un-metered</p>

Co-Ordinated Market Message Guide – Unmetered

Segment and Field Level Identifier – 700W Message			Rpt	Optionality	Description / Purpose and composition instructions
2	FLD	Withdrawal Reason	1	Mandatory	<p>Withdrawal reason is a code to indicate why a reading has been withdrawn. Below is full list which are valid for 700W:</p> <p>A1 Erroneous Change of Supplier A3 Change of Supplier Cancellation A4 Change of Supplier A5 Change of Legal Entity B1 Incorrect MPRN C1 Incorrect Estimation D1 Incorrect Rate D2 Incorrect Billing Period</p>
2	FLD	Effective from Date	1	Mandatory	This is the date from which the original 700 message was effective
2	FLD	Networks Reference Number	1	Mandatory	A Non Interval billing document reference created at inception of the Non Interval billing document in Networks and used to reference that Non Interval billing transaction. This item references the original Networks Reference Number provided on the 700 message.
2	FLD	Maximum Import Capacity	1	Mandatory	Maximum Import Capacity is the capacity in kVA agreed in the connection agreement and permitted to be imported at a meter point.
2	FLD	PSO Exemption Flag	1	Optional	<p>As and where an unmetered site is exempt, by law, from paying PSO charges. Valid values are:</p> <ul style="list-style-type: none"> • 1 i.e. a logical value of True if the site is exempt • 0 i.e. a logical value of False if the site is not exempt.
2	FLD	Essential Plant	1	See	<p>A flag will be set to :</p> <p>1 i.e. a logical value of True – where ESN determine a site is</p>

Co-Ordinated Market Message Guide – Unmetered

Segment and Field Level Identifier – 700W Message			Rpt	Optionality	Description / Purpose and composition instructions														
				Description	Essential Plant 0 i.e. a logical value of False - where ESN determine a site is no longer Essential Plant														
2	FLD	Transaction Reason Code	1	Mandatory	<p>The Transaction Reason Code on the 700W is the same as the Transaction Reason Code on the original 700 message. It specifies the appropriate trigger for the message to be sent. The following are valid values for Transaction Reason Code on this message</p> <table border="1"> <tr> <td>REG</td> <td>The registration of a new Group MPRN</td> </tr> <tr> <td>NGP</td> <td>The new registration or the energisation of a Grouped Technical MPRN</td> </tr> <tr> <td>NSP</td> <td>The new registration or the energisation of a Singlepoint unmetered site</td> </tr> <tr> <td>COI</td> <td>Change of Inventory</td> </tr> <tr> <td>COS</td> <td>Change of Supplier Acquisition</td> </tr> <tr> <td>REP</td> <td>Replacement message following the withdrawal of another 700 message for the site</td> </tr> <tr> <td>COG</td> <td>Change of Group for a TMPRN from one GMPRN group to another GMPRN group due to Local Authority boundary change for example</td> </tr> </table>	REG	The registration of a new Group MPRN	NGP	The new registration or the energisation of a Grouped Technical MPRN	NSP	The new registration or the energisation of a Singlepoint unmetered site	COI	Change of Inventory	COS	Change of Supplier Acquisition	REP	Replacement message following the withdrawal of another 700 message for the site	COG	Change of Group for a TMPRN from one GMPRN group to another GMPRN group due to Local Authority boundary change for example
REG	The registration of a new Group MPRN																		
NGP	The new registration or the energisation of a Grouped Technical MPRN																		
NSP	The new registration or the energisation of a Singlepoint unmetered site																		
COI	Change of Inventory																		
COS	Change of Supplier Acquisition																		
REP	Replacement message following the withdrawal of another 700 message for the site																		
COG	Change of Group for a TMPRN from one GMPRN group to another GMPRN group due to Local Authority boundary change for example																		
2	SEG	Meter Point Address	1	Mandatory	The address at which the un-metered Meter Point is connected.														

Co-Ordinated Market Message Guide – Unmetered

Segment and Field Level Identifier – 700W Message			Rpt	Optionality	Description / Purpose and composition instructions
3	FLD	Unit No.	1	Optional	This field can be used to populate information relating to the unit number that can be part of an address.
3	FLD	Addr Line 1	1	Optional	This field can be used as overflow for address details that apply before the street part of an address.
3	FLD	Addr Line 2	1	Optional	This field can be used as overflow for address details that apply before the street part of an address.
3	FLD	House No.	1	Optional	This can be used to populate the number of a premises given as part of an address.
3	FLD	Street	1	See instructions	This field stores information relating to the street part of an address. This field will be populated for Meter Point Address.
3	FLD	Addr Line 4	1	Optional	This field can be used as overflow for address details that apply after the street part of an address.
3	FLD	Addr Line 5	1	Optional	This field can be used as overflow for address details that apply after the street part of an address.
3	FLD	Postal Code	1	Optional	This is the Postal Code given as part of an address where appropriate. Ireland has implemented a Postal Code system called Eircode, Unmetered MPRN's will not be assigned an Eircode
3	FLD	City	1	Optional	Used to populate the details of which City an address resides in where appropriate
3	FLD	County - Ireland	1	See instructions	This denotes the county in which an address is situated. See the list of data codes for permissible values here. This field will be populated

Co-Ordinated Market Message Guide – Unmetered

Segment and Field Level Identifier – 700W Message			Rpt	Optionality	Description / Purpose and composition instructions
					for Meter Point Address.
3	FLD	Country	1	See instructions	This denotes the country in which an address is situated. This field will be populated and set to IE or GB for Meter Point Address.
2	SEG	Consumption Detail	1..N	Mandatory	This segment sets out the inventory details for the site
3	FLD	Consecutive Number	1	Mandatory	As the equipment on site can have multiple Un-metered Type / Billing Value combinations each combination is set out separately with a Consecutive Number each.
3	FLD	Un-metered Type	1	Mandatory	Un-metered Type relates to the type of equipment on site, e.g. the bulb type or that the site is a telephone kiosk. See the current version of the Data codes for a full set of allowed values for Un-metered Type.
3	FLD	Installed Value	1	Mandatory	Installed Value is the wattage of the equipment
3	FLD	Billing Value	1	Mandatory	Billing Value is the wattage that drives the consumption calculations. The Billing Value can vary from the Installed Value as wattage may, for example, be used in the control gear
3	FLD	Unit of Measurements	1	Mandatory	Units of measurement is a code that indicates the value that is measured. The following are valid values for Unit of Measurements on this message: K3 kvArh KVA KVA KWH KWH

Co-Ordinated Market Message Guide – Unmetered

Segment and Field Level Identifier – 700W Message			Rpt	Optionality	Description / Purpose and composition instructions
					KWT Kw KVR KVAr MWH MWh
3	FLD	Repetition Factor	1	Mandatory	Repetition Factor represents the number of pieces of equipment valid for this segment – i.e. with the same Un-metered Type / Billing Value combination.

Co-Ordinated Market Message Guide – Unmetered

2.3 701 Unmetered Consumption

Purpose / Description of message

The 701 Un-metered Consumption message is sent by the ESB Networks business to the Market registered Supplier to notify them of consumption recorded at un-metered sites supplied by them.

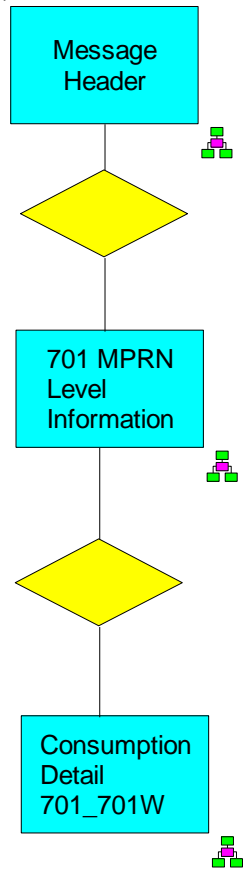
The 701MM is sent to the registered supplier in the following cases:

- Monthly billing
- Change of Supplier loss
- Change of Legal Entity
- De-energisation

This data includes the following:

- The technical details regarding any inventory on site
- The dates to define the periods described
- The consumption details throughout the periods
- The Group MPRN a Technical MPRN relates to
- DUoS Group
- The energisation status of the Meter Point.

Data Hierarchy Diagram



Co-Ordinated Market Message Guide – Unmetered

Message Structure

This section describes the structure of the 701 message. The purpose of the message segments and data items is explained and any rules for composition outlined.

Segment and Field Level Identifier – 701 Message			Rpt	Optionality	Description / Purpose and composition instructions												
1	Message Header		1	Mandatory	<i>Refer to common data segments document</i>												
1	Unmetered Meter Point Details		1	Mandatory													
2	FLD	Technical MPRN	1	Mandatory	The unique identifying reference number for the Un-metered Meter Point. All elements of MPRN will be provided.												
2	FLD	Group MPRN	1	Optional	This is the unique identifying reference number for grouped un-metered sites such as street lighting, provided where applicable.												
2	FLD	Load Profile	1	Mandatory	<p>Load Profile is a code that determines, when coupled with Timeslot, the standard profile to be applied to the consumption for settlement. The following are valid values for load profile on this message:</p> <table border="1"> <tbody> <tr> <td>10</td> <td>Unmetered - Flat</td> </tr> <tr> <td>11</td> <td>Public Lighting - Dusk/Dawn</td> </tr> <tr> <td>12</td> <td>Public Lighting - Dusk/Midnight</td> </tr> <tr> <td>13</td> <td>Public Lighting - Dusk/Dawn with Extra Trimming</td> </tr> <tr> <td>14</td> <td>Public Lighting - Dusk/Dawn with Extra Trimming and 75% dimming between midnight and 06.00 hrs</td> </tr> <tr> <td>15</td> <td>Public Lighting - Dusk/Dawn with Extra Trimming and 67% dimming between midnight and 06.00 hrs</td> </tr> </tbody> </table>	10	Unmetered - Flat	11	Public Lighting - Dusk/Dawn	12	Public Lighting - Dusk/Midnight	13	Public Lighting - Dusk/Dawn with Extra Trimming	14	Public Lighting - Dusk/Dawn with Extra Trimming and 75% dimming between midnight and 06.00 hrs	15	Public Lighting - Dusk/Dawn with Extra Trimming and 67% dimming between midnight and 06.00 hrs
10	Unmetered - Flat																
11	Public Lighting - Dusk/Dawn																
12	Public Lighting - Dusk/Midnight																
13	Public Lighting - Dusk/Dawn with Extra Trimming																
14	Public Lighting - Dusk/Dawn with Extra Trimming and 75% dimming between midnight and 06.00 hrs																
15	Public Lighting - Dusk/Dawn with Extra Trimming and 67% dimming between midnight and 06.00 hrs																

Co-Ordinated Market Message Guide – Unmetered

Segment and Field Level Identifier – 701 Message			Rpt	Optionality	Description / Purpose and composition instructions																
					<table border="1"> <tr> <td>16</td> <td>Public Lighting - Dusk/Dawn with Extra Trimming and 50% dimming between midnight and 06.00 hrs</td> </tr> <tr> <td>17</td> <td>Public Lighting - Dusk to Dawn with Extra Trimming, dimmed to 75% from 21:00 through to 07:00 next day</td> </tr> <tr> <td>18</td> <td>Public Lighting - Dusk to Dawn with Extra Trimming, dimmed to 67% from 21:00 through to 07:00 next day</td> </tr> <tr> <td>19</td> <td>Public Lighting - Dusk to Dawn with Extra Trimming, dimmed to 50% from 21:00 through to 07:00 next day</td> </tr> <tr> <td>20</td> <td>Public Lighting - Dusk to Dawn with Extra Trimming, dimmed to 75% from 20:00 to 22:00 then to 50% until 07:00 next day</td> </tr> <tr> <td>21</td> <td>Public Lighting - Dusk to Dawn with Extra Trimming, dimmed to 67% from 20:00 to 22:00 then to 50% until 07:00 next day</td> </tr> <tr> <td>22</td> <td>Public Lighting - Dusk to Dawn with Extra Trimming, dimmed to 64% from 20:00 to 22:00 then to 47% until 07:00 next day</td> </tr> <tr> <td>23</td> <td>Public Lighting - Dusk to Dawn with Extra Trimming, dimmed to 64% from 20:00 to 22:00 then to 36% until 07:00 next day</td> </tr> </table>	16	Public Lighting - Dusk/Dawn with Extra Trimming and 50% dimming between midnight and 06.00 hrs	17	Public Lighting - Dusk to Dawn with Extra Trimming, dimmed to 75% from 21:00 through to 07:00 next day	18	Public Lighting - Dusk to Dawn with Extra Trimming, dimmed to 67% from 21:00 through to 07:00 next day	19	Public Lighting - Dusk to Dawn with Extra Trimming, dimmed to 50% from 21:00 through to 07:00 next day	20	Public Lighting - Dusk to Dawn with Extra Trimming, dimmed to 75% from 20:00 to 22:00 then to 50% until 07:00 next day	21	Public Lighting - Dusk to Dawn with Extra Trimming, dimmed to 67% from 20:00 to 22:00 then to 50% until 07:00 next day	22	Public Lighting - Dusk to Dawn with Extra Trimming, dimmed to 64% from 20:00 to 22:00 then to 47% until 07:00 next day	23	Public Lighting - Dusk to Dawn with Extra Trimming, dimmed to 64% from 20:00 to 22:00 then to 36% until 07:00 next day
16	Public Lighting - Dusk/Dawn with Extra Trimming and 50% dimming between midnight and 06.00 hrs																				
17	Public Lighting - Dusk to Dawn with Extra Trimming, dimmed to 75% from 21:00 through to 07:00 next day																				
18	Public Lighting - Dusk to Dawn with Extra Trimming, dimmed to 67% from 21:00 through to 07:00 next day																				
19	Public Lighting - Dusk to Dawn with Extra Trimming, dimmed to 50% from 21:00 through to 07:00 next day																				
20	Public Lighting - Dusk to Dawn with Extra Trimming, dimmed to 75% from 20:00 to 22:00 then to 50% until 07:00 next day																				
21	Public Lighting - Dusk to Dawn with Extra Trimming, dimmed to 67% from 20:00 to 22:00 then to 50% until 07:00 next day																				
22	Public Lighting - Dusk to Dawn with Extra Trimming, dimmed to 64% from 20:00 to 22:00 then to 47% until 07:00 next day																				
23	Public Lighting - Dusk to Dawn with Extra Trimming, dimmed to 64% from 20:00 to 22:00 then to 36% until 07:00 next day																				
2	FLD	DUoS Group	1	Mandatory	<p>Duos Group is a code which denotes the use of system tariff that applies to the MPRN. The following are valid values for DUoS Group on this message:</p> <p>DG3 Public Lighting</p>																

Co-Ordinated Market Message Guide – Unmetered

Segment and Field Level Identifier – 701 Message			Rpt	Optionality	Description / Purpose and composition instructions
					DG4 Un-metered Supplies
2	FLD	Meter Point Status	1	Mandatory	<p>Meter Point Status is a code to identify the connection status of a meter point. The following are valid values for Meter Point Status on this message</p> <p>A Assigned E Energised D De-energised T Terminated</p>
2	FLD	Meter Configuration Code	1	Mandatory	<p>Meter Configuration Code (MCC) describes the current configuration of meter registers and other equipment at an MPRN which allow Customer Billing to take place. The MCC does not describe the specific metering equipment in use at an MPRN nor does it describe the overall capability of the metering equipment at the site. The following is the only valid code for MCC on this message:</p> <p>MCC09 Un-metered</p>
2	FLD	Calculation Date	1	Mandatory	Calculation Date is the date upon which ESB Networks calculated the consumption figures shown
2	FLD	Billing Start Date	1	Mandatory	This is the date from which the billing is calculated. This would be the beginning of the month or whenever the site was registered with the Supplier if this took place mid month.
2	FLD	Billing End Date	1	Mandatory	This is the date up to which the billing is calculated.
2	FLD	Networks Reference Number	1	Mandatory	A Non Interval billing document reference created at inception of the Non Interval billing document in Networks and used to reference that

Co-Ordinated Market Message Guide – Unmetered

Segment and Field Level Identifier – 701 Message			Rpt	Optionality	Description / Purpose and composition instructions						
					Non Interval billing transaction.						
2	FLD	Transaction Reason Code	1	Mandatory	<p>The Transaction Reason Code on the 701 specifies the appropriate trigger for the message to be sent. The following are valid values for Transaction Reason Code on this message</p> <table border="1"> <tr> <td>SCH</td> <td>Scheduled periodic billing</td> </tr> <tr> <td>FIN</td> <td>Final billing</td> </tr> <tr> <td>REP</td> <td>Replacement message following the withdrawal of a previous 701 message</td> </tr> </table>	SCH	Scheduled periodic billing	FIN	Final billing	REP	Replacement message following the withdrawal of a previous 701 message
SCH	Scheduled periodic billing										
FIN	Final billing										
REP	Replacement message following the withdrawal of a previous 701 message										
2	FLD	Total Consumption	1	Mandatory	This is the total consumption for the MPRN over the above period						
2	SEG	Consumption Detail	1..N	See instructions	This segment sets out the inventory details for the site and their consumption through the period						
3	FLD	Consecutive Number	1	Mandatory	As the equipment on site can have multiple Un-metered Type / Billing Value combinations each combination is set out separately with a Consecutive Number each. As the site details can change through the month there will also be additional Consecutive Numbers to represent the periods with each set of details						
3	FLD	From Date	1	Mandatory	This is the date from which the consumption below is calculated for this set of equipment details						
3	FLD	To Date	1	Mandatory	This is the date up to which the consumption below is calculated for this set of equipment details						

Co-Ordinated Market Message Guide – Unmetered

Segment and Field Level Identifier – 701 Message			Rpt	Optionality	Description / Purpose and composition instructions
3	FLD	Un-metered Type	1	Mandatory	Un-metered Type relates to the type of equipment on site, e.g. the bulb type or that the site is a telephone kiosk. See the current version of the Data codes for a full set of allowed values for Un-metered Type.
3	FLD	Installed Value	1	Mandatory	Installed Value is the wattage of the equipment
3	FLD	Billing Value	1	Mandatory	Billing Value is the wattage that drives the consumption calculations. The Billing Value can vary from the Installed Value as wattage may, for example, be used in the control gear
3	FLD	Unit of Measurements	1	Mandatory	Units of measurement is a code that indicates the value that is measured. The following are valid values for Unit of Measurements on this message: K3 kvArh KVA KVA KWH KWH KWT Kw KVR KVAr MWH MWh
3	FLD	Repetition Factor	1	Mandatory	Repetition Factor represents the number of pieces of equipment valid for this segment – i.e. with the same Un-metered Type / Billing Value combination.

Co-Ordinated Market Message Guide – Unmetered

Segment and Field Level Identifier – 701 Message			Rpt	Optionality	Description / Purpose and composition instructions
3	FLD	Consumption	1	Mandatory	This is the consumption (in kWh) for this set of equipment details across the individual period above

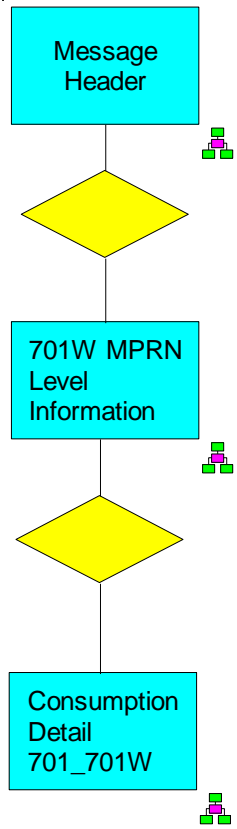
2.4 701W Withdrawal of Unmetered Consumption

Purpose / Description of message

The 701W Withdrawal of Unmetered Consumption message is sent by the ESB Networks business to Market registered Suppliers to notify them that the details of Un-metered consumption provided on a 701 message have been withdrawn. This includes the reason for the withdrawal.

Co-Ordinated Market Message Guide – Unmetered

Data Hierarchy Diagram



Co-Ordinated Market Message Guide – Unmetered

Message Structure

This section describes the structure of the 701W message. The purpose of the message segments and data items are explained and any rules for composition outlined.

Segment and Field Level Identifier – 701W Message			Rpt	Optionality	Description / Purpose and composition instructions										
1	Message Header		1	Mandatory	<i>Refer to common data segments document</i>										
1	Meter Point Details		1	Mandatory											
2	FLD	Technical MPRN	1	Mandatory	The unique identifying reference number for the Un-metered Meter Point. All elements of MPRN will be provided.										
2	FLD	Group MPRN	1	Optional	This is the unique identifying reference number for grouped un-metered sites such as street lighting, provided where applicable.										
2	FLD	Load Profile	1	Mandatory	<p>Load Profile is a code that determines, when coupled with Timeslot, the standard profile to be applied to the consumption for settlement. The following are valid values for load profile on this message:</p> <table border="1"> <tbody> <tr> <td>10</td> <td>Unmetered - Flat</td> </tr> <tr> <td>11</td> <td>Public Lighting - Dusk/Dawn</td> </tr> <tr> <td>12</td> <td>Public Lighting - Dusk/Midnight</td> </tr> <tr> <td>13</td> <td>Public Lighting - Dusk/Dawn with Extra Trimming</td> </tr> <tr> <td>14</td> <td>Public Lighting - Dusk/Dawn with Extra Trimming and 75% dimming between midnight and 06.00 hrs</td> </tr> </tbody> </table>	10	Unmetered - Flat	11	Public Lighting - Dusk/Dawn	12	Public Lighting - Dusk/Midnight	13	Public Lighting - Dusk/Dawn with Extra Trimming	14	Public Lighting - Dusk/Dawn with Extra Trimming and 75% dimming between midnight and 06.00 hrs
10	Unmetered - Flat														
11	Public Lighting - Dusk/Dawn														
12	Public Lighting - Dusk/Midnight														
13	Public Lighting - Dusk/Dawn with Extra Trimming														
14	Public Lighting - Dusk/Dawn with Extra Trimming and 75% dimming between midnight and 06.00 hrs														

Co-Ordinated Market Message Guide – Unmetered

Segment and Field Level Identifier – 701W Message			Rpt	Optionality	Description / Purpose and composition instructions																		
					<table border="1"> <tr> <td>15</td> <td>Public Lighting - Dusk/Dawn with Extra Trimming and 67% dimming between midnight and 06.00 hrs</td> </tr> <tr> <td>16</td> <td>Public Lighting - Dusk/Dawn with Extra Trimming and 50% dimming between midnight and 06.00 hrs</td> </tr> <tr> <td>17</td> <td>Public Lighting - Dusk to Dawn with Extra Trimming, dimmed to 75% from 21:00 through to 07:00 next day</td> </tr> <tr> <td>18</td> <td>Public Lighting - Dusk to Dawn with Extra Trimming, dimmed to 67% from 21:00 through to 07:00 next day</td> </tr> <tr> <td>19</td> <td>Public Lighting - Dusk to Dawn with Extra Trimming, dimmed to 50% from 21:00 through to 07:00 next day</td> </tr> <tr> <td>20</td> <td>Public Lighting - Dusk to Dawn with Extra Trimming, dimmed to 75% from 20:00 to 22:00 then to 50% until 07:00 next day</td> </tr> <tr> <td>21</td> <td>Public Lighting - Dusk to Dawn with Extra Trimming, dimmed to 67% from 20:00 to 22:00 then to 50% until 07:00 next day</td> </tr> <tr> <td>22</td> <td>Public Lighting - Dusk to Dawn with Extra Trimming, dimmed to 64% from 20:00 to 22:00 then to 47% until 07:00 next day</td> </tr> <tr> <td>23</td> <td>Public Lighting - Dusk to Dawn with Extra Trimming, dimmed to 64% from 20:00 to 22:00 then to 36% until 07:00 next day</td> </tr> </table>	15	Public Lighting - Dusk/Dawn with Extra Trimming and 67% dimming between midnight and 06.00 hrs	16	Public Lighting - Dusk/Dawn with Extra Trimming and 50% dimming between midnight and 06.00 hrs	17	Public Lighting - Dusk to Dawn with Extra Trimming, dimmed to 75% from 21:00 through to 07:00 next day	18	Public Lighting - Dusk to Dawn with Extra Trimming, dimmed to 67% from 21:00 through to 07:00 next day	19	Public Lighting - Dusk to Dawn with Extra Trimming, dimmed to 50% from 21:00 through to 07:00 next day	20	Public Lighting - Dusk to Dawn with Extra Trimming, dimmed to 75% from 20:00 to 22:00 then to 50% until 07:00 next day	21	Public Lighting - Dusk to Dawn with Extra Trimming, dimmed to 67% from 20:00 to 22:00 then to 50% until 07:00 next day	22	Public Lighting - Dusk to Dawn with Extra Trimming, dimmed to 64% from 20:00 to 22:00 then to 47% until 07:00 next day	23	Public Lighting - Dusk to Dawn with Extra Trimming, dimmed to 64% from 20:00 to 22:00 then to 36% until 07:00 next day
15	Public Lighting - Dusk/Dawn with Extra Trimming and 67% dimming between midnight and 06.00 hrs																						
16	Public Lighting - Dusk/Dawn with Extra Trimming and 50% dimming between midnight and 06.00 hrs																						
17	Public Lighting - Dusk to Dawn with Extra Trimming, dimmed to 75% from 21:00 through to 07:00 next day																						
18	Public Lighting - Dusk to Dawn with Extra Trimming, dimmed to 67% from 21:00 through to 07:00 next day																						
19	Public Lighting - Dusk to Dawn with Extra Trimming, dimmed to 50% from 21:00 through to 07:00 next day																						
20	Public Lighting - Dusk to Dawn with Extra Trimming, dimmed to 75% from 20:00 to 22:00 then to 50% until 07:00 next day																						
21	Public Lighting - Dusk to Dawn with Extra Trimming, dimmed to 67% from 20:00 to 22:00 then to 50% until 07:00 next day																						
22	Public Lighting - Dusk to Dawn with Extra Trimming, dimmed to 64% from 20:00 to 22:00 then to 47% until 07:00 next day																						
23	Public Lighting - Dusk to Dawn with Extra Trimming, dimmed to 64% from 20:00 to 22:00 then to 36% until 07:00 next day																						
2	FLD	DUoS Group	1	Mandatory	Duos Group is a code which denotes the use of system tariff that applies to the MPRN. The following are valid values for DUoS Group																		

Co-Ordinated Market Message Guide – Unmetered

Segment and Field Level Identifier – 701W Message			Rpt	Optionality	Description / Purpose and composition instructions
					<p>on this message:</p> <p>DG3 Public Lighting</p> <p>DG4 Un-metered Supplies</p>
2	FLD	Meter Point Status	1	Mandatory	<p>Meter Point Status is a code to identify the connection status of a meter point. The following are valid values for Meter Point Status on this message</p> <p>A Assigned</p> <p>E Energised</p> <p>D De-energised</p> <p>T Terminated</p>
2	FLD	Meter Configuration Code	1	Mandatory	<p>Meter Configuration Code (MCC) describes the current configuration of meter registers and other equipment at an MPRN which allow Customer Billing to take place. The MCC does not describe the specific metering equipment in use at an MPRN nor does it describe the overall capability of the metering equipment at the site. The following is the only valid code for MCC on this message:</p> <p>MCC09 Un-metered</p>
2	FLD	Calculation Date	1	Mandatory	<p>Calculation Date is the date upon which ESB Networks calculated the consumption figures shown</p>
2	FLD	Withdrawal Reason	1	Mandatory	<p>Withdrawal reason is a code to indicate why a 701 message has been</p>

Co-Ordinated Market Message Guide – Unmetered

Segment and Field Level Identifier – 701W Message			Rpt	Optionality	Description / Purpose and composition instructions
					<p>withdrawn. The following withdrawal reasons are valid for this message:</p> <p>A1 Erroneous Change of Supplier</p> <p>A3 Change of Supplier Cancellation</p> <p>A4 Change of Supplier</p> <p>A5 Change of Legal Entity</p> <p>B1 Incorrect MPRN</p> <p>D1 Incorrect Rate</p> <p>D2 Incorrect Billing Period</p>
2	FLD	Billing Start Date	1	Mandatory	This is the date from the original 701 message which the billing is calculated. This would be the beginning of the month or whenever the site was registered with the Supplier if this took place mid month.
2	FLD	Billing End Date		Mandatory	This is the date from the original 701 message up to which the billing is calculated.
2	FLD	Networks Reference Number	1	Mandatory	A Non Interval billing document reference created at inception of the Non Interval billing document in Networks and used to reference that Non Interval billing transaction.
2	FLD	Transaction Reason Code	1	Mandatory	The Transaction Reason Code on the 701W is the Transaction Reason Code from the original 701 message. It specifies the appropriate trigger for the message to be sent. The following are valid

Co-Ordinated Market Message Guide – Unmetered

Segment and Field Level Identifier – 701W Message			Rpt	Optionality	Description / Purpose and composition instructions						
					values for Transaction Reason Code on this message <table border="1" style="margin-left: 20px;"> <tr> <td>SCH</td> <td>Scheduled periodic billing</td> </tr> <tr> <td>FIN</td> <td>Final billing</td> </tr> <tr> <td>REP</td> <td>Replacement message following the withdrawal of a previous 701 message</td> </tr> </table>	SCH	Scheduled periodic billing	FIN	Final billing	REP	Replacement message following the withdrawal of a previous 701 message
SCH	Scheduled periodic billing										
FIN	Final billing										
REP	Replacement message following the withdrawal of a previous 701 message										
2	FLD	Total Consumption	1	Mandatory	This is the total consumption for the MPRN over the above period						
2	SEG	Consumption Detail	1..N	See instructions	This segment sets out the inventory details for the site and their consumption through the period						
3	FLD	Consecutive Number	1	Mandatory	As the equipment on site can have multiple Un-metered Type / Billing Value combinations each combination is set out separately with a Consecutive Number each. As the site details can change through the month there will also be additional Consecutive Numbers to represent the periods with each set of details						
3	FLD	From Date	1	Mandatory	This is the date, from the original 701 message, from which the consumption below is calculated for this set of equipment details						
3	FLD	To Date	1	Mandatory	This is the date , from the original 701 message ,up to which the consumption below is calculated for this set of equipment details						
3	FLD	Un-metered Type	1	Mandatory	Un-metered Type relates to the type of equipment on site, e.g. the bulb type or that the site is a telephone kiosk. See the current version of the Data codes for a full set of allowed values for Un-metered Type.						

Co-Ordinated Market Message Guide – Unmetered

Segment and Field Level Identifier – 701W Message			Rpt	Optionality	Description / Purpose and composition instructions
3	FLD	Installed Value	1	Mandatory	Installed Value is the wattage of the equipment
3	FLD	Billing Value	1	Mandatory	Billing Value is the wattage that drives the consumption calculations. The Billing Value can vary from the Installed Value as wattage may, for example, be used in the control gear
3	FLD	Unit of Measurements	1	Mandatory	Units of measurement is a code that indicates the value that is measured. The following are valid values for Unit of Measurements on this message: K3 kvArh KVA KVA KWH KWH KWT Kw KVR KVAr MWH MWh
3	FLD	Repetition Factor	1	Mandatory	Repetition Factor represents the number of pieces of equipment valid for this segment – i.e. with the same Un-metered Type / Billing Value combination.
3	FLD	Consumption	1	Mandatory	This is the consumption (in kWh) for this set of equipment details across the individual period above