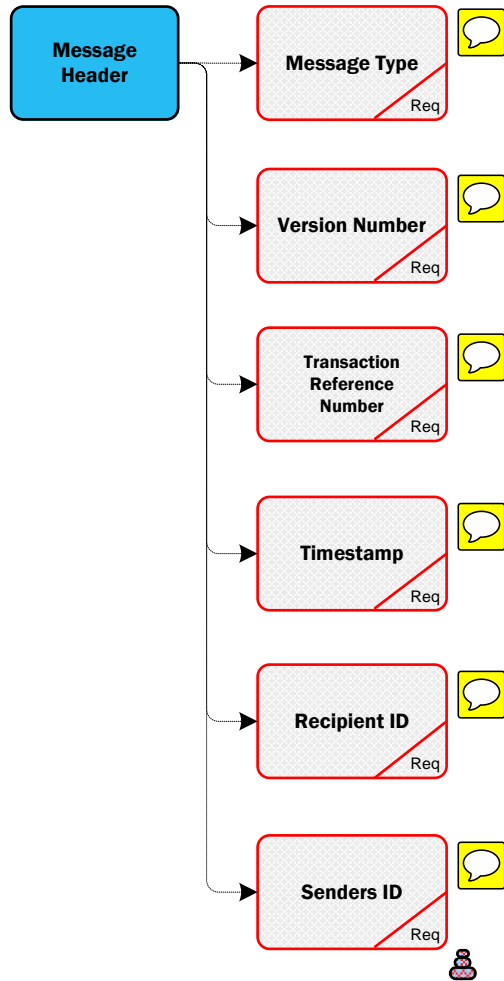
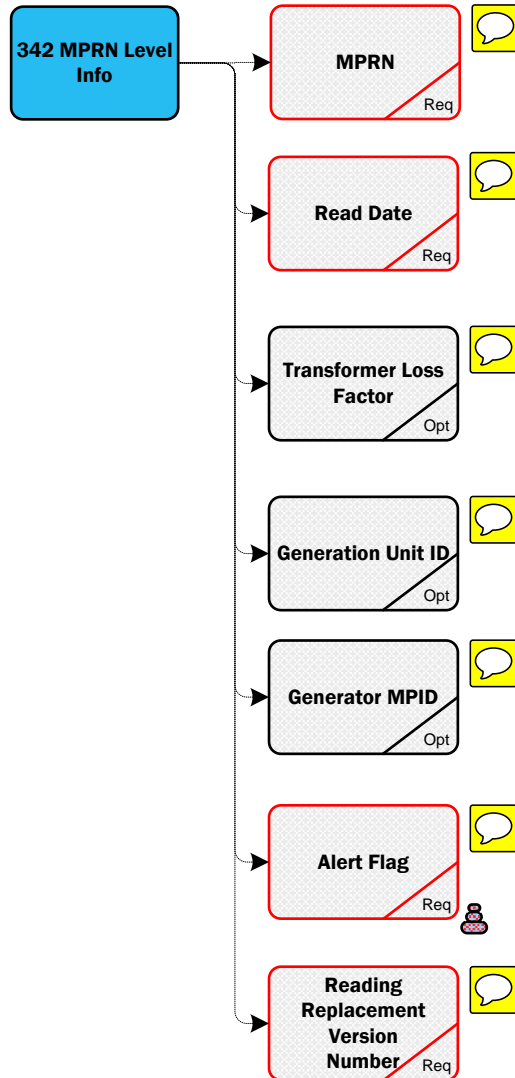
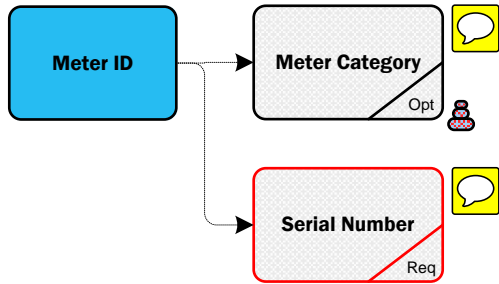


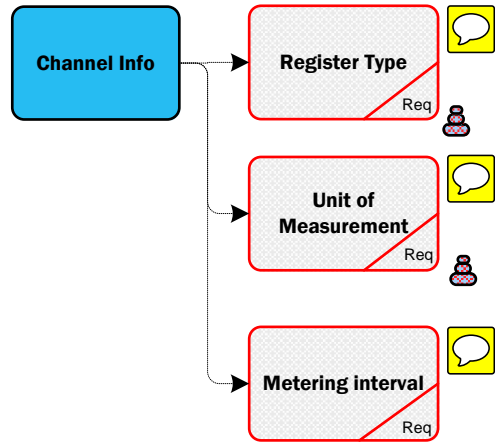
342 Export Interval Meter Daily Readings

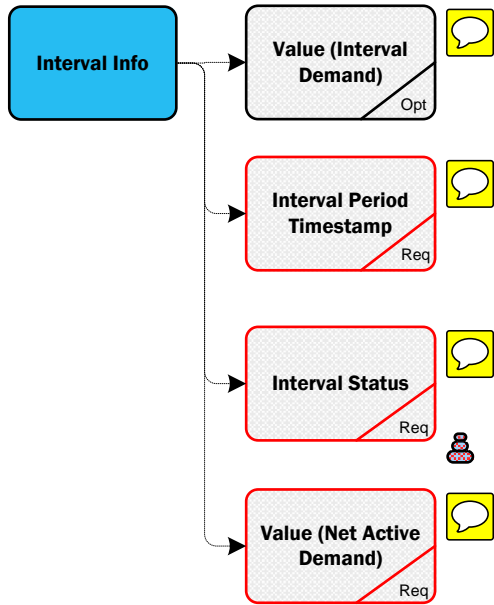
342 Valid Codes
Register Type
50 Import QH (Kw)
51 Import QH (kVAr)
52 Export QH (Kw)
53 Export QH (kVAr)
Unit of Measurements
KWT = kW
KVR = KVAr
Alert Flag (previously called Channel Status in v 6.1)
VV – all values are valid
VI – values are invalid. Typically this will be due to non-zero values on a de-energised site
Interval Status
VEST – indicates that the value is estimated
VCHG – indicates a value that has been manually changed by MRSO
VACH – indicates a value that has been manually changed (substituted) by PDS
VVAK – indicates that the value is collected or totalised from a meter
Optional/Mandatory; Although the following Data Items are optional, note the following caveats:-
Generator ID: Provided for export sites
Generation Unit ID: Provided for export sites
Value (Net Active Demand): Provided for import channels on export sites where netting occurs
. Unit of Measurements: KWT = kW
KVR = KVAr

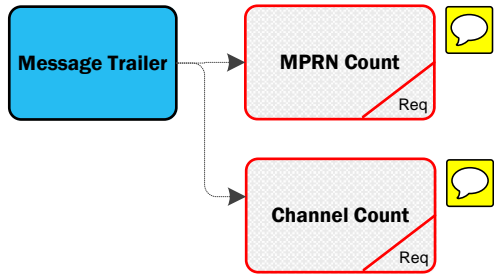






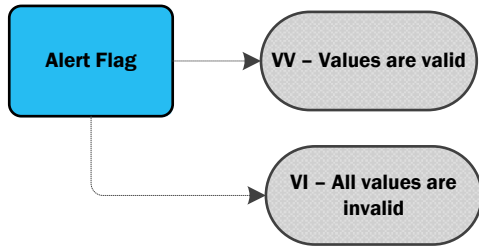






**Senders
ID**

**Click Here for Latest
Senders ID
List**

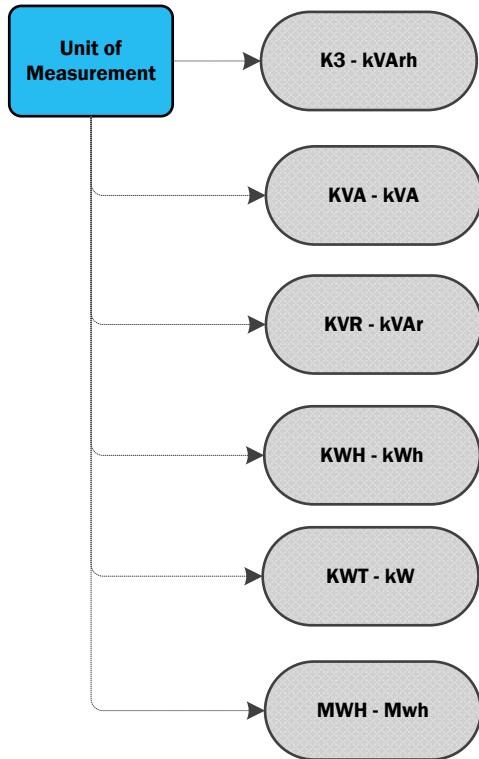


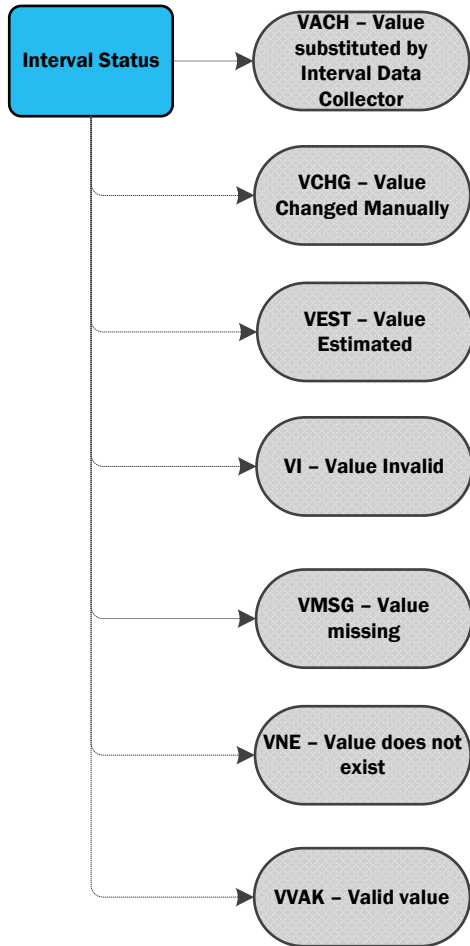
Meter Category

**Click Here for Latest
Meter Category
List**

Register Type

- 01 - 24hr
- 02 - Day
- 03 - Night
- 04 - NSH
- 05 - Wattless
- 06 - MD Normal
- 07 - MD Peak
- 08 - Cumulative MD Normal
- 09 - Cumulative MD Peak
- 50 - IMP QH (KW)
- 51 - IMP QH (kVAr)
- 52 - EXP QH(KW)
- 53 - EXP QH (kVAr)





Version Which Implemented	Source of Change	Description of Change
10.4	MCR 1155	Message format changed from ARIS to Document format.
10.6	CoBLCR 008 & CoBLCR 011	Meter Category - Removed table & replaced with link to Meter Category page on RMDS Website
10.7	Smart Metering Review	Generation Unit ID Code - Removed from MPRN Level Information
11.1	Review	Generation Unit ID Code - Added to MPRN Level Information