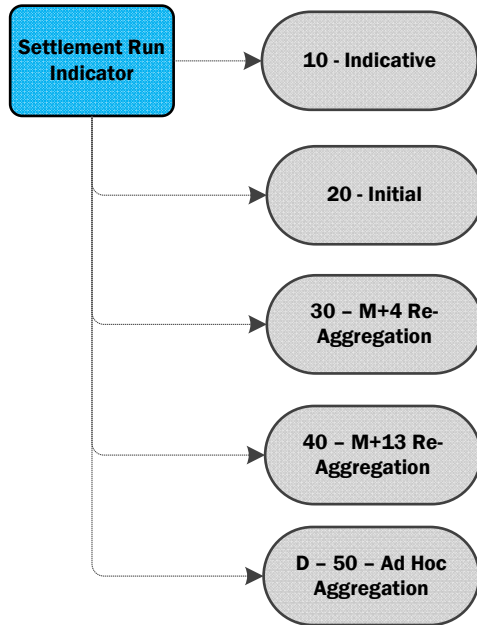


**Senders
ID**

**Click Here for Latest
Senders ID
List**



**Supplier
ID**

**Click Here for Latest
Supplier ID
List**

