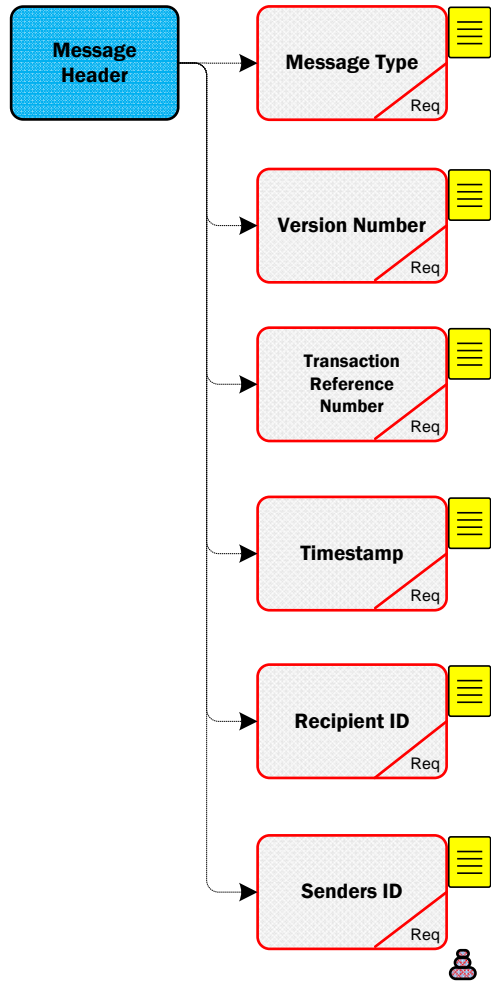
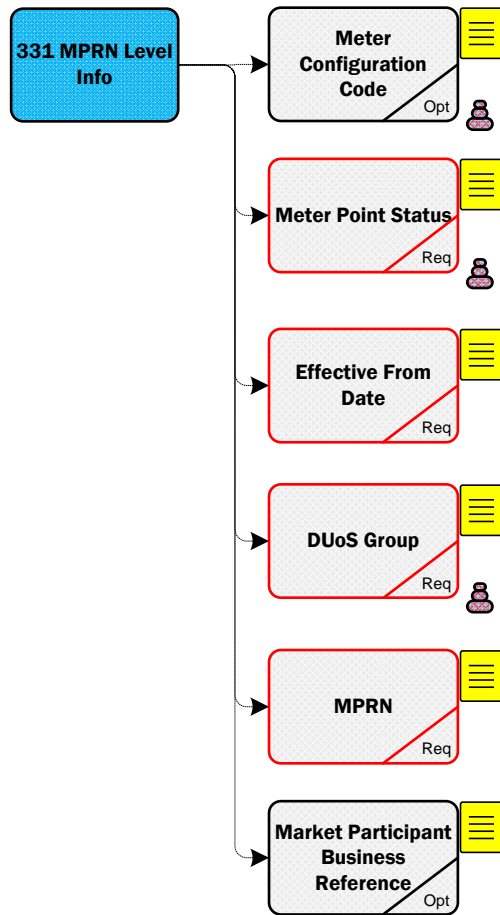
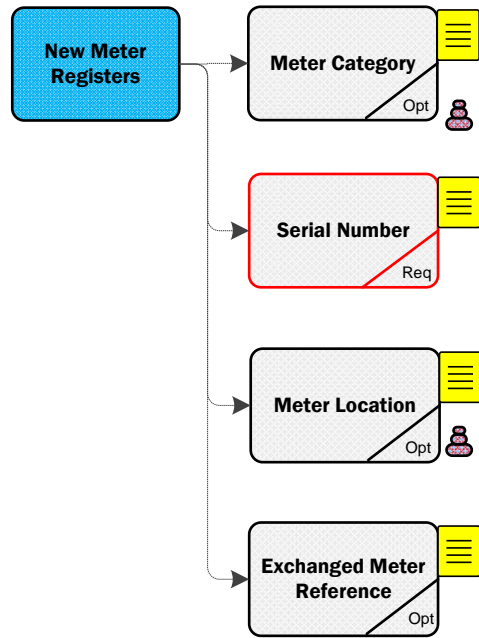
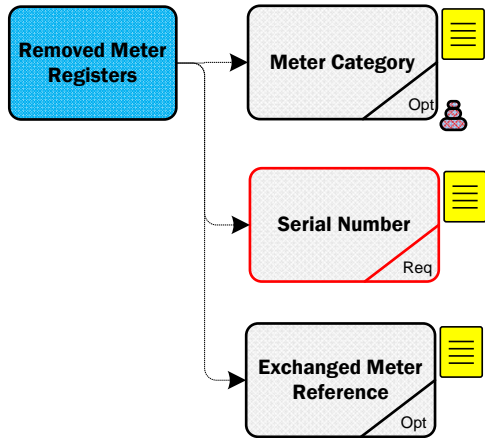


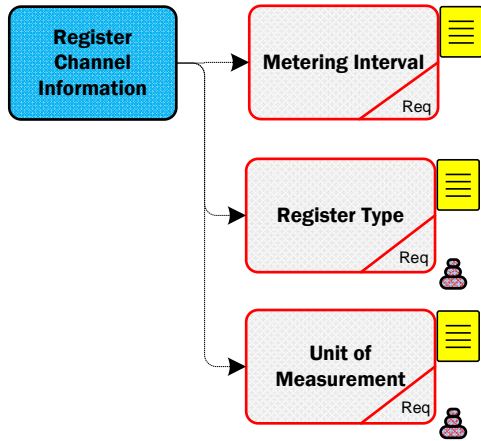
| |
|---|
| 331 Valid Codes |
| Meter Point Status |
| E or D only. |
| MCC |
| MCC10 |
| MCC11 |
| Register Type |
| 50 Import QH (Kw) |
| 51 Import QH (kVAr) |
| 52 Export QH (Kw) |
| 53 Export QH (kVAr) |
| Unit of Measurements |
| KWT = kW |
| KVR = KVAR |
| |
| Optional/Mandatory; Although the following Data Items are optional, note the following caveats:- |
| Exchanged Meter Reference: To be provided where a meter exchange has occurred |







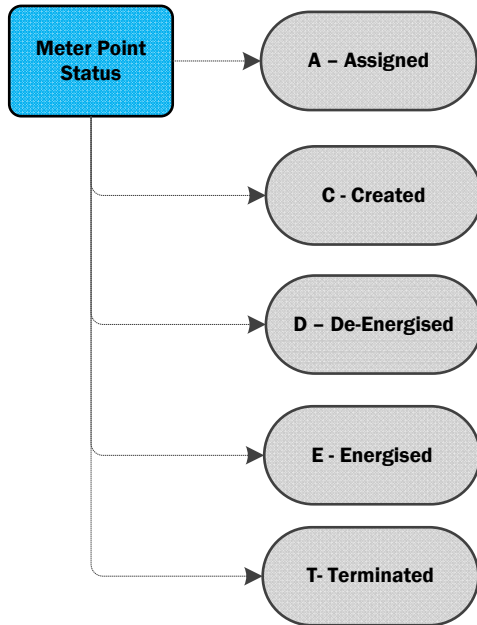




**Senders
ID**

**Click Here for Latest
Senders ID
List**

| Meter Configuration Code | MCC01 - 24 Hour | MCC10 - QH2CH_IP | MCC61 - 2x24h | MCC73 - 4x24H+NSH |
|--------------------------|-------------------|--------------------|-------------------|---------------------|
| | MCC02 - P/N | MCC11 - QH4CH_IPXP | MCC62 - 2x24h+NSH | MCC74 - 5x24H |
| | MCC03 - 24h+NSH | MCC50 - NONSTN | MCC63 - 2x24h+D | MCC75 - 24H+2xNSH |
| | MCC04 - D/N+W | MCC51 - D/N+NSH | MCC64 - 2x24h+W | MCC76 - 4x24H+W |
| | MCC05 - MDNm/PK | MCC53 - 2 X D/N | MCC65 - 3x24hr | MCC77 - 2x24H+W+NSH |
| | MCC06 - MDNm+Pk | MCC57 - 24h+D | MCC67 - 3x24h+Day | MCC78 - 3x24H+W+NSH |
| | MCC07 - 24H+NSH+W | MCC58 - 24h+D/N | MCC70 - 3x24H+NSH | MCC79 - 5x24H+NSH |
| | MCC08 - 24h+W | MCC59 - 24h+D/N+W | MCC71 - 4x24H | |
| | MCC09 - Unmetered | MCC60 - 24h+D/N+NS | MCC72 - 3x24H+W | |



331 Interval Meter Technical Details

Code

DUoS Group

| | | | | |
|-----|------|---|------|--|
| AGU | DG1 | Urban Domestic | DG7 | MV MD |
| AMM | DG10 | Yes | DG7A | MV MD Autoproducer |
| CAN | DG2 | Rural Domestic | DG7B | MV MD Importing Autoproducer or CHP Producer |
| CIP | DG3 | Public Lighting | DG8 | 38 kV Looped MD |
| COL | DG4 | Unmetered Supplies | DG8A | 38 kV Looped MD Autoproducer |
| COS | DG5 | LV Non-Domestic Non-MD | DG8B | 38 kV Looped MD Importing Autoproducer or CHP Producer |
| CUG | DG5A | LV Non-Domestic Non-MD Autoproducer | DG9 | 38 kV Tailed MD |
| DIJ | DG5B | LV Non-Domestic Non-MD Importing Autoproducer or CHP Producer | DG9A | 38 kV Tailed MD Autoproducer |
| DSO | DG6 | LV MD | DG9B | 38 kV Tailed MD Importing Autoproducer or CHP Producer |
| IA | DG6A | LV MD Autoproducer | DG10 | 110kV Distribution |
| ICD | DG6B | LV MD Importing Autoproducer or CHP Producer | TCON | Transmission Connected |

Message

MPRN Level Information

RMDS RETAIL MARKET DESIGN SERVICE

DUoS Group

331 Interval Meter Technical Details

Code

Meter Category

| | | | | | | | | | |
|-------|-------------------------------------|-------|---|-------|--|-------|----------------------------------|-------|---|
| RM001 | Single Tariff kWh | RM228 | Double Tariff kWh | RM511 | Single Tariff kWh | RM621 | C.T. Double Tariff kWh | RM752 | M.F.M. |
| RM002 | Single Tariff kWh | RM229 | Double Tariff kWh | RM512 | Single Tariff kWh | RM622 | C.T. Double Tariff kWh | RM753 | Double Tariff Mechanical MD |
| RM003 | Single Tariff kWh | RM230 | Double Tariff kWh | RM513 | Single Tariff kWh | RM623 | C.T. Double Tariff kWh | RM754 | M.F.M. |
| RM004 | Single Tariff kWh | RM231 | Double Tariff kWh | RM514 | Single Tariff kWh | RM624 | C.T. Double Tariff kWh | RM755 | M.F.M. |
| RM005 | Single Tariff kWh | RM232 | Double Tariff kWh 2 Element | RM515 | Single Tariff kWh | RM625 | C.T. Double Tariff kWh | RM756 | M.F.M. |
| RM006 | Single Tariff kWh | RM233 | Double Tariff kWh 2 Element | RM516 | 3-Phase Mechanical Single Tariff Meter | RM626 | C.T. Double Tariff kWh | RM757 | M.F.M. |
| RM007 | Single Tariff kWh | RM234 | Double Tariff kWh | RM520 | Double Tariff kWh | RM627 | Electronic Double Tariff kWh | RM758 | M.F.M. |
| RM008 | Single Tariff kWh | RM235 | Double Tariff kWh | RM521 | Double Tariff kWh | RM640 | C.T. Single Tariff Mechanical MD | RM759 | M.F.M. |
| RM010 | Single Tariff kWh | RM250 | Electronic Double Tariff kWh | RM522 | Double Tariff kWh | RM641 | C.T. Single Tariff Mechanical MD | RM760 | M.F.M. |
| RM011 | Single Tariff kWh | RM251 | Double Tariff kWh 2 Element | RM523 | Double Tariff kWh | RM645 | M.F.M. | RM761 | M.F.M. |
| RM020 | Single Tariff kWh | RM252 | Electronic Double Tariff kWh | RM524 | Double Tariff kWh | RM646 | M.F.M. | RM762 | M.F.M. |
| RM021 | Single Tariff kWh | RM253 | Electronic Double Tariff kWh (AMPY 5224E) | RM525 | Double Tariff kWh | RM647 | M.F.M. | RM763 | M.F.M. |
| RM022 | Single Tariff kWh | RM255 | Electronic Multi rate kWh | RM526 | Double Tariff kWh | RM648 | M.F.M. | RM764 | M.F.M. |
| RM030 | Single Tariff kWh | RM256 | Electronic Multi rate kWh | RM527 | Double Tariff kWh | RM649 | M.F.M. | RM765 | M.F.M. |
| RM031 | Single Tariff kWh | RM257 | Electronic Multi Rate kWh | RM528 | Double Tariff kWh | RM650 | M.F.M. | RM766 | M.F.M. |
| RM032 | Single Tariff kWh | RM258 | Electronic Multi Rate kWh | RM529 | Double Tariff kWh | RM651 | M.F.M. | RM767 | M.F.M. |
| RM033 | Single Tariff kWh | RM259 | Electronic Multi Rate kWh | RM530 | Double Tariff kWh | RM652 | M.F.M. | RM768 | M.F.M. |
| RM034 | Single Tariff kWh | RM280 | Hardwired | RM531 | Double Tariff kWh | RM660 | C.T. Double Tariff Mechanical MD | RM769 | M.F.M. |
| RM035 | Single Tariff kWh | RM281 | DLC | RM532 | Double Tariff kWh | RM661 | C.T. Double Tariff Mechanical MD | RM770 | Single Tariff kVArh |
| RM036 | Single Tariff kWh | RM300 | Smart GPRS 3Ph WC 1-20(100) | RM533 | Double Tariff kWh | RM662 | C.T. Double Tariff Mechanical MD | RM771 | Single Tariff kVArh |
| RM039 | Single Tariff kWh | RM301 | Smart DLC 3PH WC 0.25-5(80)A | RM534 | RM534 - Electronic Double Tariff kWh | RM663 | C.T. Double Tariff Mechanical MD | RM772 | Single Tariff kVArh |
| RM040 | Single Tariff kWh | RM302 | Smart RF 3PH WC 0.5-10(100)A | RM540 | Mechanical MD | RM664 | C.T. Double Tariff Mechanical MD | RM773 | Single Tariff kVArh |
| RM041 | Single Tariff kWh | RM303 | Smart RF 3PH WC 1-20(100)A | RM541 | Mechanical MD | RM665 | C.T. Double Tariff Mechanical MD | RM774 | Single Tariff kVArh |
| RM042 | Single Tariff kWh | RM304 | Smart PLC 3PH WC 1-20(100)A | RM542 | Mechanical MD | RM666 | C.T. Double Tariff Mechanical MD | RM775 | Single Tariff kVArh |
| RM043 | Single Tariff kWh | RM350 | Smart GPRS 3Ph WC 1-20(100) | RM543 | Mechanical MD | RM667 | M.F.M. | RM776 | Single Tariff kVArh |
| RM050 | Electronic Single Tariff kWh | RM351 | Smart DLC 3PH CT 0.25-5(80)A | RM545 | M.F.M. | RM670 | C.T. kVArh | RM777 | Single Tariff kVArh |
| RM051 | Single Tariff kWh Budget Controller | RM352 | Smart RF 3PH CT 0.5-10(100)A | RM546 | M.F.M. | RM671 | C.T. kVArh | RM780 | Summator |
| RM052 | Single Tariff kWh Budget Controller | RM353 | Smart RF 3PH CT 1-20(100)A | RM547 | M.F.M. | RM672 | C.T. kVArh | RM781 | M.F.M. (PWRM/PML Ion 7600) |
| RM054 | Single Tariff kWh Budget Controller | RM354 | Smart PLC 3PH CT 1-20(100)A | RM548 | M.F.M. | RM673 | C.T. kVArh | RM782 | M.F.M. (PWRM/PML Ion 7650) |
| RM055 | Single Tariff kWh Budget Controller | RM400 | Single Tariff Current Transformer kWh | RM549 | M.F.M. | RM674 | C.T. kVArh | RM783 | M.F.M. (PWRM/PML Ion 7650) |
| RM056 | Single Tariff kWh Budget Controller | RM401 | Single Tariff Current Transformer kWh | RM550 | M.F.M. (Elster A1140) | RM675 | C.T. kVArh | RM784 | Summator (PSI Siemens Maxsys V2737/R33) |
| RM066 | Electronic Single Tariff kWh | RM402 | Single Tariff Current Transformer kWh | RM551 | M.F.M. | RM676 | C.T. kVArh | RM785 | M.F.M. |
| RM067 | Electronic Single Tariff kWh | RM403 | Single Tariff Current Transformer kWh | RM552 | M.F.M. | RM720 | Double Tariff kWh | RMAB1 | Single Phase Single Tariff kWh |
| RM068 | Electronic Single Tariff kWh | RM420 | Double Tariff Current Transformer kWh | RM553 | M.F.M. | RM721 | Double Tariff kWh | RMAB3 | Single Tariff kWh |
| RM100 | Smart GPRS 1PH WC 1-20(100)A | RM421 | Double Tariff Current Transformer kWh | RM570 | Single Tariff kVArh | RM722 | Double Tariff kWh | RMB10 | Single Phase Single Tariff kWh |
| RM101 | Smart DLC 1PH WC 0.25-5(80)A | RM422 | Double Tariff Current Transformer kWh | RM571 | Single Tariff kVArh | RM723 | Double Tariff kWh | RMB14 | Single Phase Single Tariff kWh |
| RM102 | Smart RF 1PH WC 0.5-10(100)A | RM423 | Double Tariff Current Transformer kWh | RM572 | Single Tariff kVArh | RM740 | Single Tariff Mechanical MD | RMB15 | Single Tariff kWh |
| RM103 | Smart RF 1PH WC 1-20(100)A | RM424 | Double Tariff Current Transformer kWh | RM573 | Single Tariff kVArh | RM741 | Single Tariff Mechanical MD | RMB16 | Single Phase Single Tariff kWh |
| RM104 | Smart RF 1PH WC 1-20(100)A | RM425 | Double Tariff Current Transformer kWh | RM574 | Single Tariff kVArh | RM742 | Single Tariff Mechanical MD | RMB20 | Single Phase Single Tariff kWh |
| RM105 | Smart PLC 1PH WC 1-20(100)A | RM426 | Double Tariff Current Transformer kWh | RM575 | Single Tariff kVArh | RM743 | Double Tariff Mechanical MD | RMB34 | Single Tariff kWh |
| RM220 | Double Tariff kWh | RM500 | Single Tariff kWh | RM576 | Single Tariff kVArh | RM744 | Double Tariff Mechanical MD | RMB36 | Single Tariff kWh |
| RM221 | Double Tariff kWh | RM501 | Single Tariff kWh | RM600 | C.T. Single Tariff kWh | RM745 | Double Tariff Mechanical MD | RMB40 | Single Phase Single Tariff kWh |
| RM222 | Double Tariff kWh | RM502 | Single Tariff kWh | RM601 | C.T. Single Tariff kWh | RM746 | Double Tariff Mechanical MD | RMB45 | Single Phase Single Tariff kWh |
| RM223 | Double Tariff kWh | RM503 | Single Tariff kWh | RM602 | C.T. Single Tariff kWh | RM747 | Double Tariff Mechanical MD | RMB60 | Single Phase Single Tariff kWh |
| RM224 | Double Tariff kWh | RM504 | Single Tariff kWh | RM603 | C.T. Single Tariff kWh | RM748 | Double Tariff Mechanical MD | RMB63 | Single Tariff kWh |
| RM225 | Double Tariff kWh | RM505 | Single Tariff kWh | RM604 | C.T. Single Tariff kWh | RM749 | Double Tariff Mechanical MD | RMB80 | Single Phase Single Tariff kWh |
| RM226 | Double Tariff kWh | RM506 | Single Tariff kWh | RM617 | C.T. kVArh | RM750 | Double Tariff Mechanical MD | RMDT1 | Double Tariff kWh |
| RM227 | Double Tariff kWh | RM510 | Single Tariff kWh | RM620 | C.T. Double Tariff kWh | RM751 | Double Tariff Mechanical MD | RMDT3 | Double Tariff kWh |
| | | | | | | | | TKMTR | Single Phase Single Tariff kWh |

Message

New Meter Registers

Removed Meter Registers

RMDS RETAIL MARKET DESIGN SERVICE

Meter Category

Meter Location

| | | |
|------------------|----------------------------------|--------------------------------|
| 01 - Basement | 10 - Pumphouse | 19 - Annexe |
| 02 - Garage | 11 - Scullery/ Pantry/Kitchen | 20 - Milking parlour/ Dairy |
| 03 - Hall | 12 - Shop | 21 - Workshop |
| 04 - Kitchen | 13 - Switchroom/ Board | 22 - Store |
| 05 - Landing | 14 - Under Stairs | 23 - Back door |
| 06 - Office | 15 - Car Park | 24 - Bedroom |
| 07 - Outside box | 16 - Pole | 25 - Boiler House |
| 08 - Porch | 17 - Lobby | 26 - Factory |
| 09 - Press | 18 - Shed/Outoffice/ Barn | |

| Register Type | | |
|---------------|---------------------------|--------------------|
| | 01 - 24hr | 50 - IMP QH (KW) |
| | 01 - Day | 51 - IMP QH (kVAr) |
| | 03 - Night | 52 - EXP QH(KW) |
| | 04 - NSH | 53 - EXP QH (kVAr) |
| | 05 - Wattless | |
| | 06 - MD Normal | |
| | 07 - MD Peak | |
| | 08 - Cumulative MD Normal | |
| | 09 - Cumulative MD Peak | |

