

Form A – IGG Design Discussion Request

Discussion Request Number	Title	Priority
DR 0133	<i>The description of Reject Reason Code 'SSS' to be changed from 'SSAC invalid for the Supplier' to 'SSAC invalid for the Supplier Unit'</i>	High

Name of Requesting Organisation	Retail Market Design Service
Contact name	Brona McKnight
Date Request sent to RMDS	9th February 2007

Date	Version	Reason for Change
9 th February 2008	1.0	<i>Initial draft of the DR document. This document has been created as a result of further detail and clarifications regarding the impact of the SEM on the description of Reject Reason Code 'SSS'</i>

Detail of Discussion Request	
<p>The Market Design documentation for the description of Reject Reason Code 'SSS' was baselined at version 6.0 as part of the suite of changes to the Retail Market Design to satisfy new requirements of SEM implementation.</p> <p>The description of Reject Reason Code 'SSS' is to be updated to reflect the following:</p> <ul style="list-style-type: none"> • Description of Reject Reason Code 'SSS' to be changed from 'SSAC invalid for the Supplier' to 'SSAC invalid for the Supplier Unit' • Required change to the 115R,102R Message Specific Information 	
Reason for Discussion Request	
<i>SEM Implementation</i>	
Market Design Documents impacted by Request	
<p><i>Reject Reason Codes V6.0</i></p> <p>115R message Specific Information V6.0</p> <p>102R message Specific Information v6.0</p>	
Date of IGG where discussed	01-02-07
Change Request xref (if applicable)	NA

PART 2 MARKET ASSURANCE:				
Applicability				
ESB Networks	Suppliers	TSO	SMO	Generators
X	X			
Scope of Test				
Connectivity	DTT	MSA	IPT	Other
X	X		X	
			No. Of Scenarios	
			TBC	

Scope of Discussion Request							
Correction to Documentation	Business Process	Market & MP Systems	MPCC	Readings Processor	Market Gateway	Schema	Web Forms
X		X					

1. Reject Reason Code Changes

1.1 Description of Reject Code 'SSS'

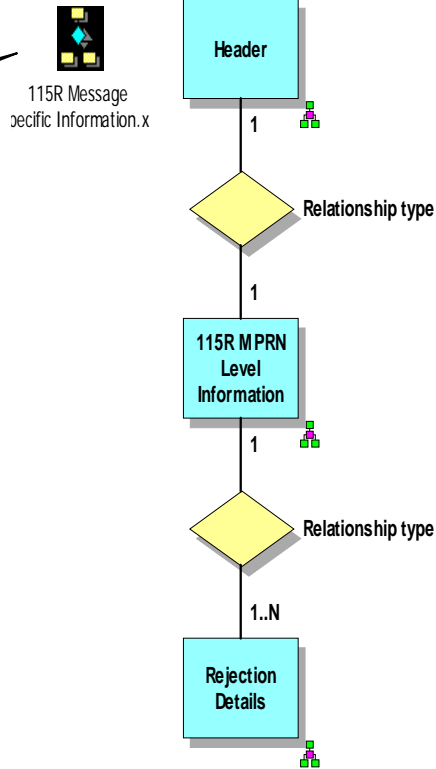
Attributes	
Name	Reject Reason
Valid Code Values	IRP Invalid Register Type IMP Invalid MPRN IMS Invalid MPRN status TMP Terminated MPRN SNK Supplier not known SNR Supplier Not registered to MPRN SAR Supplier already registered NSA No Supply Agreement SUN Supplier Unit Not known SUS Supplier Unit Invalid for Supplier SSS SSAC invalid for Supplier Unit SSN SSAC Not Known TSR Trading Site Supplier Unit Rejected IDT Invalid date or time IRA Invalid read arrangement IMF Invalid Meter Configuration code AMM Address does not match MPRN COS CoS Effective < 20 days AGU Invalid Generation unit IRC Invalid reason code (Objection/cancellation/deregistration) TIM Outside Timescale (Objection/Cancellation/Deregistration) QHM QH Meter Point IGU Invalid Generation unit data IMT Invalid meter ID RP Registration in progress NRC No reason code

	IRQ Invalid request status CAN Cancellation not agreed LO Lock Out IRT Invalid read type IRS Invalid register sequence IRR Invalid read reason ITI Invalid timeslot IUM Invalid unit of measure ICE Invalid CoS Estimate Acceptable ICU Invalid Change of Customer Usage COL Change of Legal Entity in progress CUG Customer Usage ICD Invalid change of Meter point address IID Invalid/Incomplete data CIP CoS in progress MIC MIC Change detected IGA Invalid or missing GUAC IEA Invalid/Incomplete EAI Code IA Invalid Action NRS No Register Sequence Number DSO DSO rejected request MWO Open Meter Works Order
Business Data Definition	Reject Reason is a code to identify why data was rejected.
Length	3

2. Market Message Changes

2.1

MM115R



This change is reflected in the Message Specific Information in Aris

115R Valid Codes

Valid Codes

Reject Reason

IMP – MPRN is not known to MRSO

SNR – Supplier is not registered to this Meter Point

SSS – SSAC is either not known to MRSO or is not allowed for use by the Supplier **Unit** or for the Settlement Class of the Meter Point

TIM – Required date fails date validation criteria for 015 Change of SSAC

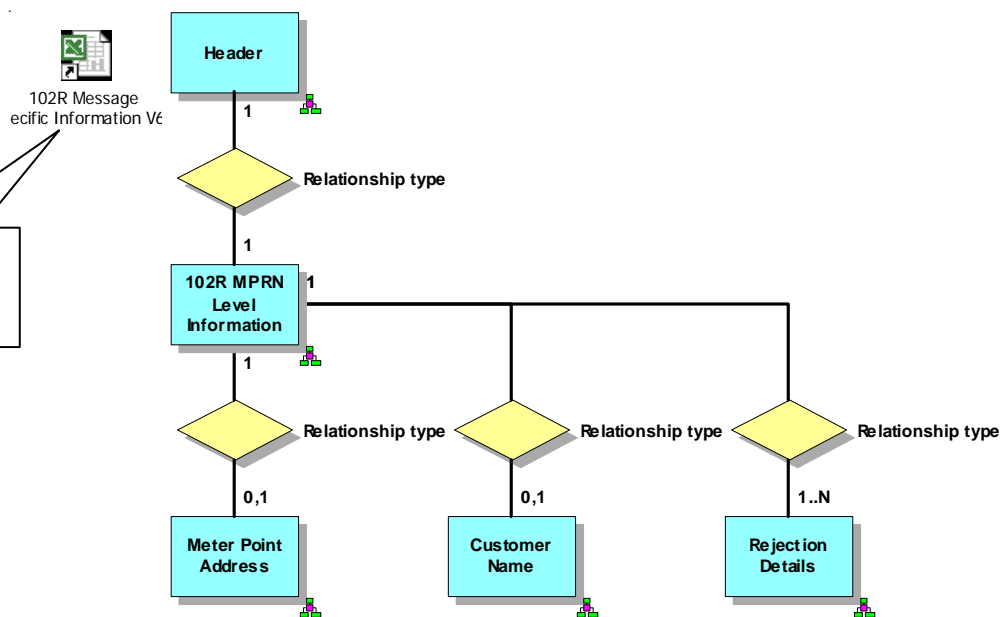
TSR-Trading Site Rejected

Please Note:

Required Date and SSAC

Both these items are as requested / provided on the 015 message

2.2 MM102R



This change is reflected in the Message Specific Information in Aris

102R Valid Codes

Reject Reason

AMM – The Meter Point Address on the message does not match that held by DSO for the MPRN

COS – The last Change of Supplier was effective less than 20 days of receipt of this registration message

ICE – A permitted value for Estimate Acceptable has not been provided.

IDT – The Required Date on registration message is greater than 40 days in the future or is more than 3 days ago where a customer read is provided

IGU – The Generator Unit Id on the message does not match that held for the MPRN

IMF – The CoS Read Arrangement is 'MC' but the requested Meter Configuration Code is not valid

IMP – The MPRN does not exist or is for a Grouped Un-metered site (either at GMPRN or TMPRN level)

IMS – The MPRN status is not Energised or De-energised.

IRA – (i) The CoS Read Arrangement specified on registration message must be CR (Customer Read), SC (Scheduled Read), SP (Special Read) or MC (Meter Configuration Change).

IRA – (ii) CoS Read Arrangement 'CR' must not be specified for MD sites

IRA – (iii) CoS Read Arrangement 'CR' or 'SP' must be accompanied by a valid Required Date

NSA – The Supplier has not warranted that a Supply Agreement exists

CIP – A registration from another supplier is being processed for this MPRN

QHM – A CoS Read Arrangement was provided for a QH metered site

SAR – The Supplier submitting the registration is already registered to this MPRN

SNK – The Supplier Id is not known

SSS – SSAC is not allowed for use by the Supplier **Unit** or for the Settlement Class of the Meter Point

IEA – Invalid / incomplete EAI Code

TSR-Trading Site Rejected

Please Note: The 010 message can also be rejected for invalid / incomplete Data in the scenarios as indicated below

IID – The Customer is a Person but the request did not include a Customer Last Name

IID – The Customer is an Organisation but the request did not include a Customer Name Org_1

IID – Customer Name details provided contained a mixture of Person and Organisation fields

IID – A User rejected the request because data was invalid or incomplete