

## Form A – IGG Design Discussion Request

Discussion Request Number	Title	Priority
DR 0123	Versioning of 341 messages	Medium

Name of Requesting Organisation	Retail Market Design Service
Contact name	Oonagh Delaney
Date Request sent to RMDS	21 <sup>st</sup> September 2006

Date	Version	Reason for Change
24 <sup>th</sup> October 2006	1.1	Initial draft of the DR document created as a result of Action Item 9 in the October 5 <sup>th</sup> meeting of the Industry Governance Group
5 <sup>th</sup> January 2007	1.2	Conversion of the DR to the new Word template, addition of a Version table and finalisation of the initial draft for discussion at the next IGG meeting.
22 <sup>nd</sup> January 2007	1.3	Edits made to table as a result of feedback
4 <sup>th</sup> April 2007	1.4	Edits made to DR after a discussion at the IGG on the 8 <sup>th</sup> of March 2007 and IGG conference call on the 21 <sup>st</sup> of March 2007 where it was agreed to move the Read Replacement Flag and the Channel Status field from the 341 Channel Level Details to the 341 MPRN Level Information.
14 <sup>th</sup> May 2007	1.5	Edits made to the DR as a result of an Action (61) taken at the 19 <sup>th</sup> April IGG to investigate the usefulness of the new Y/N flag at the MPRN level

Detail of Discussion Request
<p>This Discussion Request has been raised to discuss the changes required to support versioning of 341 messages.</p> <p><b>Background:</b> Versioning of 341 messages was originally raised by ESB Networks SEM team in 'Impact of AIP on ROI Retail Market Discussion Document – Appendix 8' (Issue No. 26) and was initially discussed at the Special IGG meetings held on 22<sup>nd</sup> June 2006 and 13<sup>th</sup> July 2006. Market Participants were asked to respond to an Action Item from the IGG meeting of 13<sup>th</sup> July 2006 (Action Item 1), these responses were mixed with some parties in favour of versioning and some parties not in favour.</p> <p>At the IGG Meeting held on 10<sup>th</sup> August 2006, it was proposed to de-scope this item from ESB Networks SEM and raise a separate Discussion Request.</p> <p>At the IGG held on the 8<sup>th</sup> of March it was agreed by all market participants to move the 'Channel Update Flag (now called the 'Read Replacement Flag') and the 'Channel Status' field (now called the 'Alert Flag (Old Channel Status)') from the '341 Channel Level Details' to the '341 MPRN Level Information'.</p> <p>At the IGG Meeting held on the 19<sup>th</sup> April 2007 an action was taken to investigate the usefulness of the Replacement Flag as the Version Number appeared to be fulfilling the same function. A meeting was subsequently organised between RMDS and an AIP team member where two - very infrequent --</p>

---

### Detail of Discussion Request

situations were identified where a supplier could receive a 341 message with only one channel segment. The following two scenarios can result in a single channel being present on a 341:

1. If there is a new kW reading and the kVAr reading remains the same only one channel is sent on the 341 message.
2. If data is being modified on one channel, then this data is locked and cannot be sent as part of the message. The channel that isn't locked can be sent on a 341 message with the second channels data being issued on a separate 341 message at a later date.

It is proposed that both these scenarios are addressed by enforcing controls that will eliminate the issuing of 341 messages with single channel data. It should be noted that, as a result of these two scenarios the assumption in the market design that the version no. and/or Read Replacement flag can move up to the MPRN level is not currently fulfilled.

#### Accidental Omission

While recompiling this DR it was noticed that the 'Interval Data' segment was missing from the 341 message. This has since been added to the 341 Message Schema attached to this document.

#### Detail:

It is proposed that a Version Number field would be added to the 341 message at the "MPRN Level Details", to indicate the issuing of a new 341 message for a given day. The Version Number will increment every time a new 341 is issued for a particular day. The proposed versioning change would replace the existing process whereby an e-mail issues from MRSO to Market Participants on D+4 notifying actual 341 readings that are replacing D+1 estimates. The proposal also covers all possible scenarios that may result in an updated reading being issued (see Table 1 below).

#### Note:

A change will be required to the readings processor software to support versioning of 341 messages.

#### Proposed Solution:

The following changes are being proposed:

1. A new Version Number field would be added to the 341 Market Message 'MPRN Level Information' segment. Every time the Version Number increments, this indicates there is a 341 replacement reading. Replacement readings may be at the individual channel level.
2. Eliminate scenarios where a 341 is issued with a single channel.
3. That the proposed 'Read Replacement Flag' be included at the Channel Level details level.
4. These changes will require a change to the readings processor software
5. The Channel Status that currently resides at the Channel Level details should be moved up to the MPRN level and renamed 'Alert Flag'.

If this additional information is added to the 341 Market Message, then emails to Market Participants notifying them of replacement QH reads would no longer be necessary.

#### QH Change of Supplier

If the change in this MCR is implemented, there is a case where a supplier may have to process version 2 of a 341 without having received version 1. When a QH change of supplier completes, the 'new' supplier gets copies of the 341 messages for the days between the issue of the 102 and the time the CoS is confirmed. In these cases, only the latest version for each day will be sent. For example version 2 may be received without receiving version 1.

The following table explains how the "Version Number" works. **Column 1** identifies the various 341 messaging scenarios. The first 3 scenarios cover the vast majority of reading updates. The latter three scenarios are very rare, yet may occur. **Column 2** identifies the time period associated with the reading. The time periods can be less than D+4, equal to D+4 or greater than D+4. **Column 3** identifies the trigger which causes a change in meter readings. This could be an estimate reading being replaced by an actual reading or even an estimate reading being replaced by another estimate

**Detail of Discussion Request**

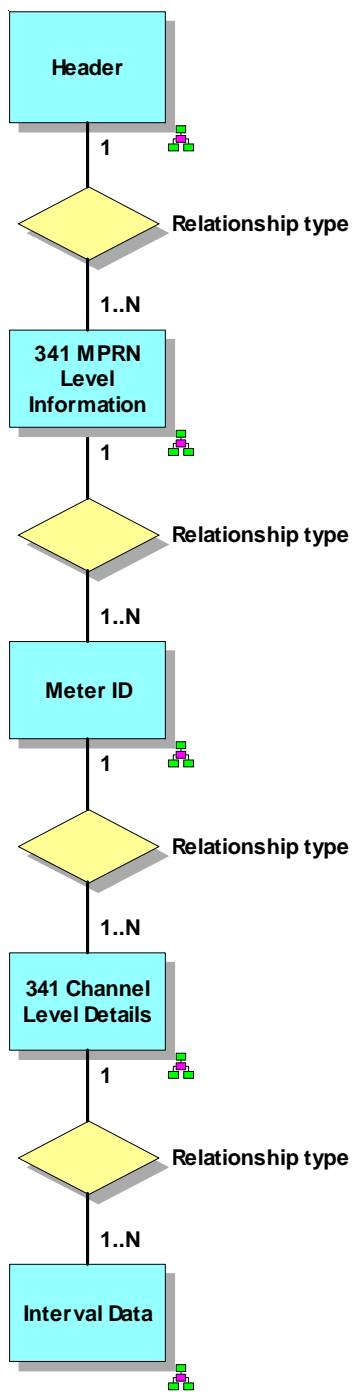
reading. **Column 4** indicates whether or not the latest meter reading is an actual read or an estimated read. **Column 5** identifies the Version Number which shows whether the reading is the first, second or third reading update. A replacement reading is indicated when the Version Number increments by 1. **Columns 6 and 7 indicate** a Read Replacement Flag at the individual channel level. In extremely rare cases the version number may increment by one, but only one channel update is sent out.

**NOTE** The version number increments from '01' to '02' to indicate a new meter reading. If the flag goes from 02 to 03 this indicates a further meter reading change. The Version Number does **not** represent 'actual' readings or 'estimate' readings. The version number may increment beyond 03 if further reading updates are received. For the CoS process the new supplier may receive a version number greater than '01' on the new suppliers first 341 message.

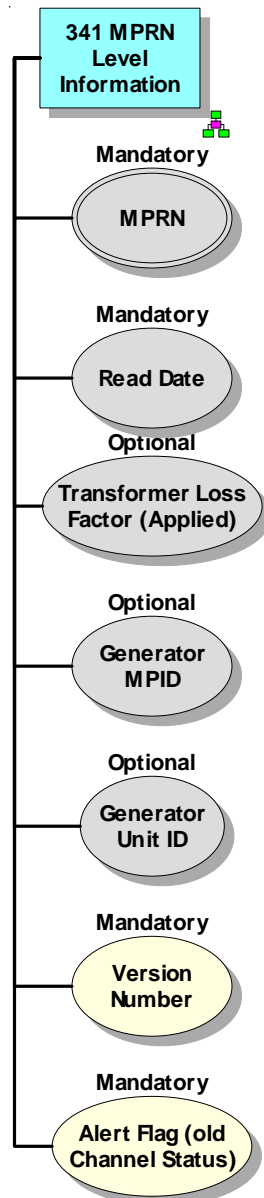
QH Data Conditions				341 Message Details		
				MPRN	Read Replacement Flag	
Scenario	When	Trigger	Meter Reading	Version Number	Channel 1	Channel 2
<b>Normal Cases</b>						
1	< = D+4	QH data received	Actual	01	N	N
2	= D+4	SMO Deadline, No data.	Estimate	01	N	N
	> D+4	QH data received	Actual	02	Y	Y
3	< = D+4	QH data received	Actual	01	N	N
	> D+4	Data Correction	Actual	02	Y	N
<b>Exceptional Scenarios</b>						
4	= D+4	SMO deadline. No data.	Estimate	01	N	N
	> D+4	SEM Query / Dispute	Estimate	02	Y	Y
5	< = D+4	QH data received	Actual	01	N	N
	> D+4	SEM Query / Dispute	Estimate	02	Y	Y
6	< = D+4	SMO	Estimate	01	N	N
	> D+4	SEM Query / Dispute	2 <sup>nd</sup> Estimate	02	Y	N
	> D+4	QH data received	Actual	03	Y	Y

**Detail of Discussion Request**

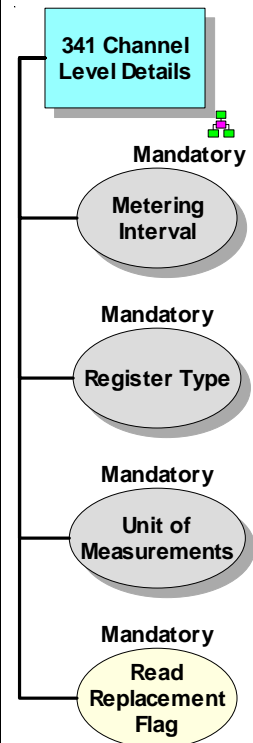
**341 Segment Level Information**



**341 MPRN Level Information**



**341 Channel Level Details**



**Detail of Discussion Request**

**Attribute Descriptions**

Segment	341 MPRN Level Information
Name	Version Number
Identifier	
Full Name	Version Number
Description	Incremental counter
Allowable Codes on Message	
Valid Code Values	Default 00, 01, 02, 03, ..... 09,10,11, ..... 99.
Composition Instructions	
Business Data Definition	The version number acts as a counter which increments by 1 every time a new 341 message is sent for the day in question (i.e. this excludes resends).
Length	2

Segment	341 MPRN Level Information
Name	Alert Flag (old Channel Status)
Identifier	
Full Name	Alert Flag
Description	Previously Called Channel Status
Allowable Codes on Message	
Valid Code Values	VV - Values are valid VI - All values are invalid
Composition Instructions	
Business Data Definition	A code to indicate the validity of the data
Length	2

Segment	341 Channel Level Details
Name	Read Replacement Flag
Identifier	
Full Name	Read Replacement Flag
Description	A YES/NO (Y/N) flag that indicates a reading update at the individual channel level.
Allowable Codes on Message	Y, N
Valid Code Values	Y
Composition Instructions	
Business Data Definition	A YES/NO (Y/N) flag that indicates a reading update at the individual channel level.
Length	1

**Reason for Discussion Request**

This change would eliminate the current practice whereby e-mails are sent from MRSO to Suppliers advising on actual readings that would replace estimate readings. This would automate a current manual handoff which should facilitate more accurate and timely Billing data for the Supplier.

**Market Design Documents impacted by Request**

Detail of Discussion Request	
<i>Message 341 Quarter Hourly Meter Daily Data</i>	
<b>Date of IGG where discussed</b>	22 <sup>nd</sup> June 2006, 13 <sup>th</sup> July 2006 (Special IGG), 10 <sup>th</sup> August 2006 and 5 <sup>th</sup> October, 8 <sup>th</sup> March 2007, 19 <sup>th</sup> April 2007.
<b>Change Request xref (if applicable)</b>	

PART 2 MARKET ASSURANCE:				
Applicability				
ESB Networks	Suppliers	TSO	SSA	Generators
<b>X</b>	<b>X</b>	<b>X</b>		
Scope of Test				
Connectivity	DTT	MSA	IPT	Other
<b>X</b>	<b>X</b>		<b>X</b>	
			No. Of Scenarios	
			<b>TBC</b>	

Scope of Discussion Request							
Correction to Documentation	Business Process	Market & MP Systems	MPCC	Readings Processor	Market Gateway	Schema	Web Forms
	<b>X</b>	<b>X</b>	<b>X</b>			<b>X</b>	